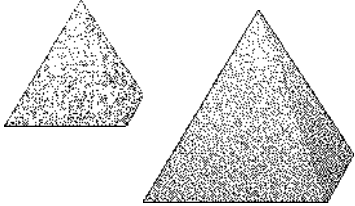
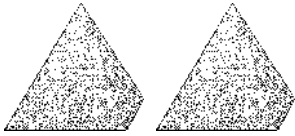
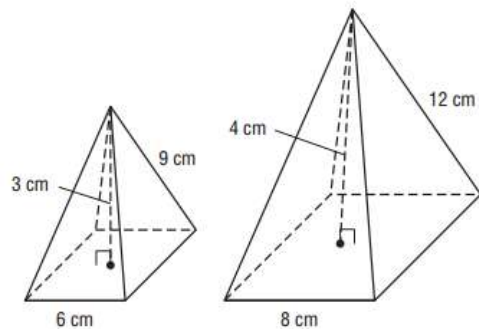
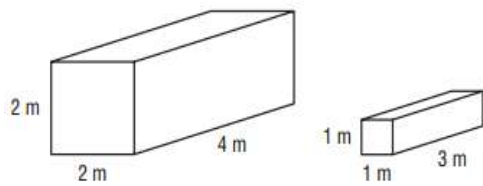
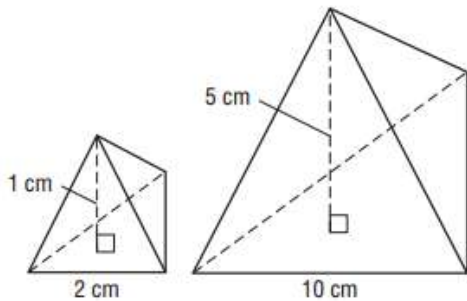


Congruent and Similar Solids	Picture & Formula
<p><b>Similar Solids</b></p>	
<p><b>Congruent Solids</b></p>	
<p><b>Thm. 12.1</b></p>	

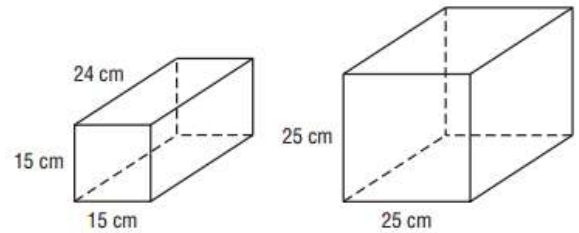
1) Determine whether the pair of figures is *similar*, *congruent*, or *neither*. If similar state the scale factor



2) Determine whether the pair of figures is *similar*, *congruent*, or *neither*. If similar state the scale factor



3) **MANUFACTURING** Boxes, Inc. wants to make the two boxes below. How long does the second box need to be so that they are similar?



4) Two similar cones have radii of 9 inches and 12 inches. What is the ratio of the volume of the smaller cone to the larger cone.

5) Two similar triangular prisms have surface areas of  $64 \text{ ft}^2$  and  $289 \text{ ft}^2$ . What is the ratio of the volume of the smaller prism to the larger prism.