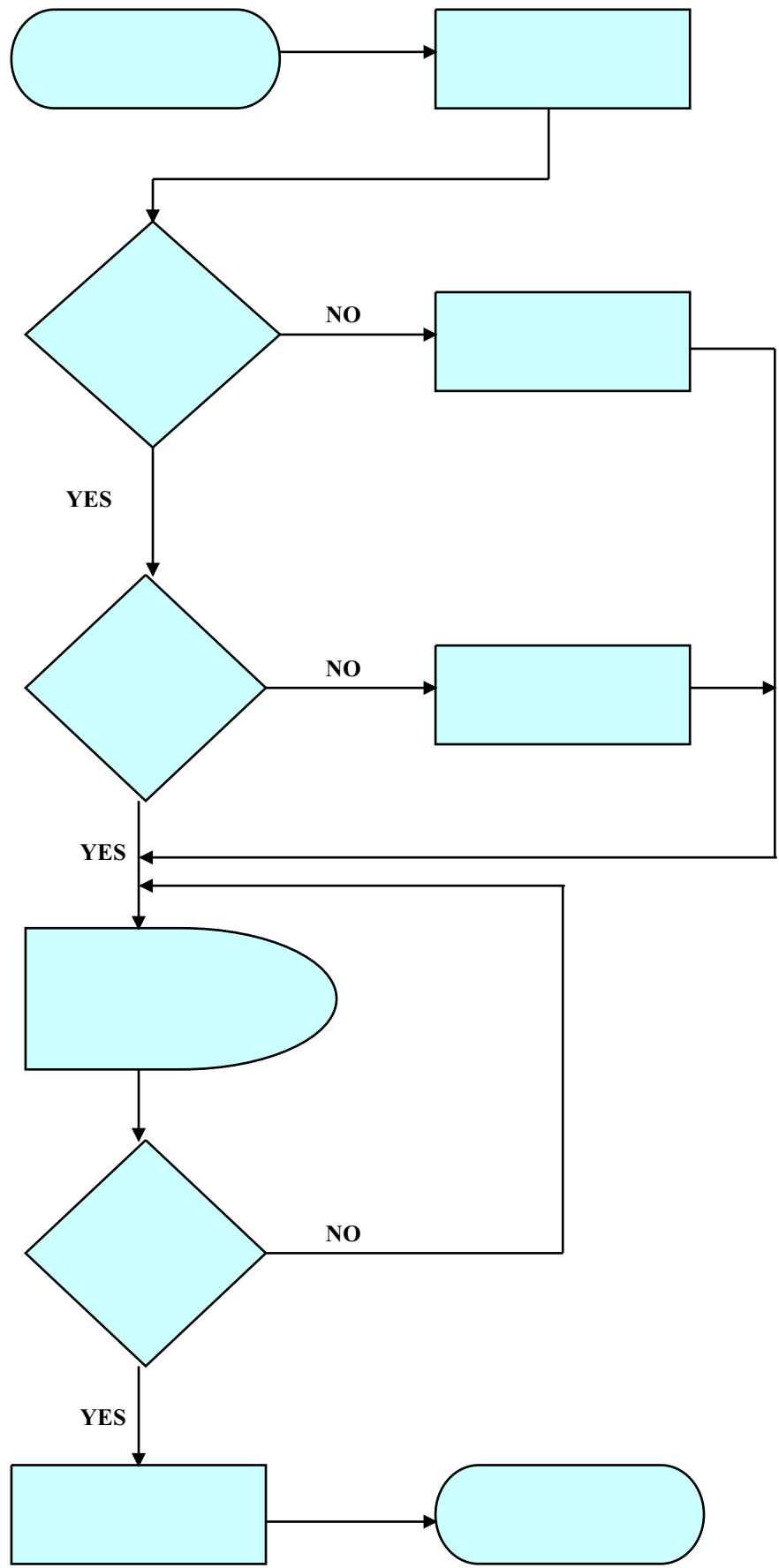


YOU SHOULD COMPLETE THE flowchart/pseudocode assignments BEFORE YOU DO THIS

### Flowchart for a DOCTOR'S appointment

Drag the textbox to the correct place on the flowchart. Save as *dr apt Your Name*



- Ask for patients' name
- Waiting room
- Patient needs to complete registration forms
- Patient sees Dr.
- Patient needs to update records
- Patient arrives
- Is the Dr. available to see patient?
- Is the patient information up to date?
- Patient leaves
- Is Patient registered with GP?