

United Kingdom, Italy, Germany, & Russia

Location, Climate, & Natural
Resources

Brain
Wrinkles



Standards

SS6G10 The student will explain the impact of location, climate, natural resources, and population distribution on Europe.

- a. Compare how the location, climate, and natural resources of the United Kingdom and Russia affect where people live and how they trade.
- b. Compare how the location, climate, and natural resources of Germany and Italy affect where people live and how they trade.

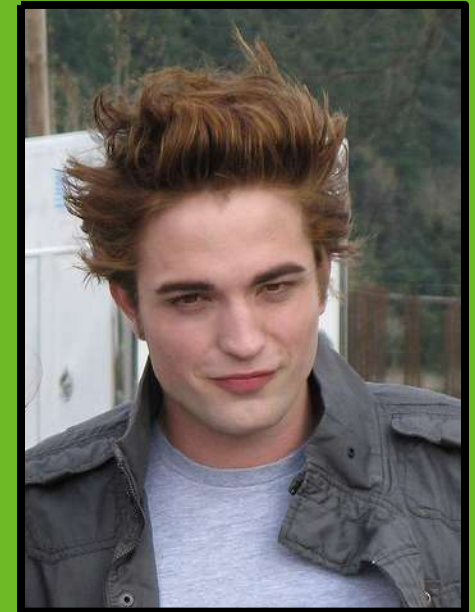
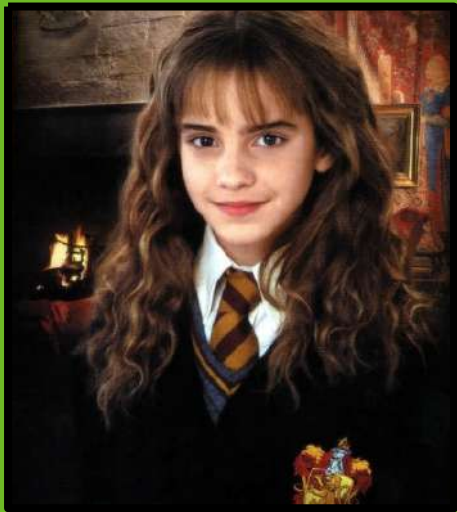
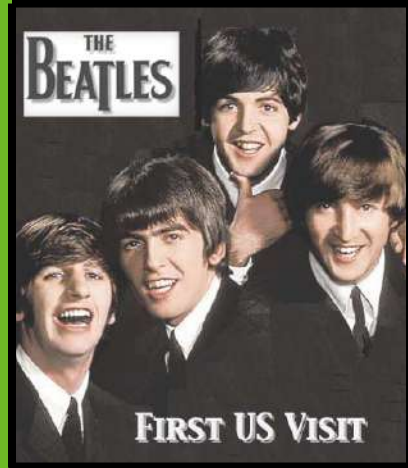
UK, Italy, Germany, & Russia

	Location	Climate	Natural Resources	Population	Area	Where People Live	Trade
United Kingdom							
Italy							
Germany							
Russia							

UK, Italy, Germany, & Russia - **KEY**

	Location	Climate	Natural Resources	Population	Area	Where People Live	Trade
United Kingdom	country of islands off the coast of mainland Europe; English Channel is France	mild climate with abundant rainfall	coal, petroleum, natural gas, & iron ore; fishing; 25% arable land	60 million	243,610 sq. km	90% live in urban areas	Location on the Atlantic Ocean helps it trade with the US
Italy	peninsula surrounded on 3 sides by the Mediterranean Sea; Alps form Italy's northern border	Mild climate with regional differences	natural gas, marble, granite, coal, mercury, zinc, and potash; 26% arable land; fishing	58 million	301,340 sq. km	7 out of 10 Italians live in urban areas; about ½ of the population lives in the northern 1/3 rd of the country	Apennines make trading difficult, while Mediterranean helps trade
Germany	north-central Europe on the European Plain	mild, marine climate	iron ore, coal, potash, uranium, nickel, natural gas, & copper; timber; 33% arable land	82 million	357,022 sq. km	85% lives in urban areas	Rhine River gives Germany's cities an excellent way to transport goods & people
Russia	spans 2 continents: Europe & Asia;	Only has 2 seasons—winter and summer; average yearly temp is below freezing	Timber; gold, aluminum ore, coal, & iron; hydroelectric power	145.5 million	17,098,242 sq. km	73% of population lives in European Russia	European Russia is mostly landlocked; Ural mountains and cold temps make trading difficult

What do these people have in common?



United Kingdom



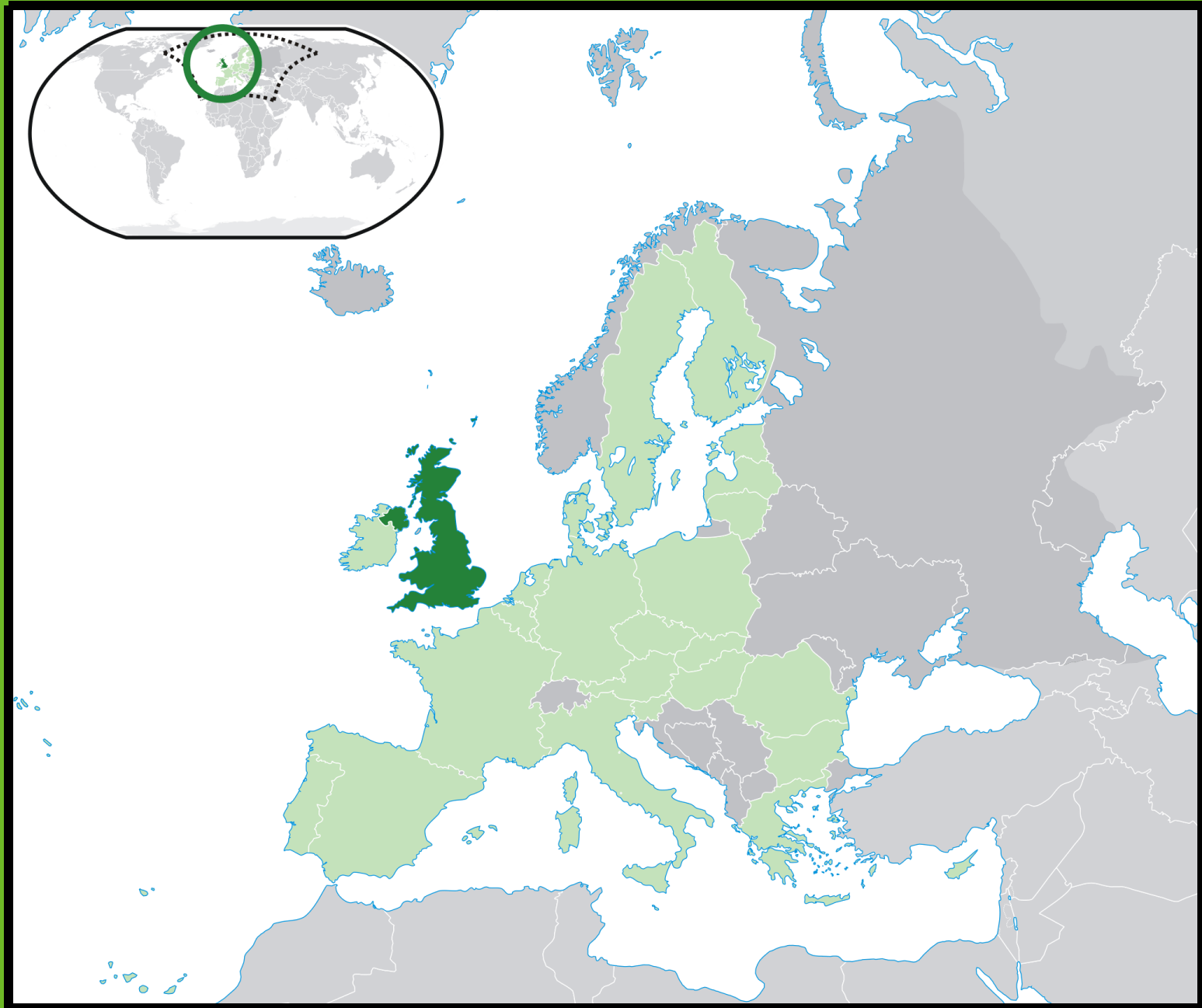
Location

- The United Kingdom is a country of islands off the coast of mainland Europe.
- It consists of England, Northern Ireland, Scotland, & Wales.



Location

- UK's location makes it a hub for trade.
 - Across the English Channel is France, west is the Republic of Ireland, east is the Scandinavian Peninsula.
 - There are 10 major ports along UK's coast!



Location & Trade

- Location has helped the UK become an international banking & insurance center.
 - UK has more foreign bank branches than any country in the world.
- Location on the Atlantic Ocean helps it trade with the US.
 - The United States is the UK's #1 trading partner.

Climate

- UK has a mild climate with abundant rainfall throughout the year.
 - No section goes without rain for more than 2 weeks!
- Winters are mild and wet; summers are warmest in the south.
- The Gulf Stream crosses the Atlantic Ocean & warms the country, making the winters milder than other European countries.



Natural Resources

- UK has deposits of coal, petroleum, natural gas, & iron ore.
 - These form the backbone of the country's industry: auto production, steel manufacturing, & shipbuilding.
- Other resources include: zinc, lead, gold, tin, limestone, salt, clay, gypsum, potash, sand, & slate.

Natural Resources

- Manufacturing is declining...
- Natural resources are being used up and industry is changing to cleaner forms of energy.
 - Many people who once had jobs in mining and manufacturing are being retrained for jobs in service industries.
 - 80% of the people work in service industries (tourism, health care, education, banking, & insurance).

Natural Resources

- Fishing is profitable along the shores of the UK.
- Nearly 25% of the country has arable land (fertile; good for farming).
 - Over half of the land is used for farms.



Where People Live

- About 60 million people live in the United Kingdom.
- Land Area: 243,610 sq km
- Around 90% of the UK's people live in cities.
 - London alone has over 7 million people!

Buckingham Palace



Tower Bridge



Big Ben and Parliament Building



London Eye



Stonehenge



Italy



Location

- Italy is a long, boot-shaped peninsula surrounded on 3 sides by the Mediterranean Sea.
- The Alps form Italy's northern border.
- The Apennine Mountains run from the Alps to the sea.
- Two islands, Sardinia & Sicily, are part of the country.



Climate

- Italy has a temperate (mild) climate with regional differences.
- The coastal areas have mild winters and warm, dry summers.
- Mountains have cold, wet, and snowy winters and humid summers.

Natural Resources

- Italy has few mineral resources: natural gas, marble, granite, coal, mercury, zinc, and potash.
- Arable land is important (26% fertile land).
 - Small farms cover much of the country.
 - Grapes & olives are important crops.
- There are more than 800 ports for fishing boats.

Where People Live

- Population: 58,000,000
- Land Area: 301,340 sq km
- 7 out of 10 Italians live in urban areas (Rome, Naples, Milan, & Turin).
- About half of the people live in the most northern 1/3rd of the country!

Rome, Italy



Trading

- Apennine Mountains are like a backbone across Italy.
 - They affect where people live & how they transport people and goods—make trading difficult.
- Italy's location on the Mediterranean Sea affects trade with other countries.
 - This makes trading easier.
 - Italy has a long history of shipping goods to countries in Africa, Europe, & Asia.

Germany



Location

- Germany is in north-central Europe on the European Plain.
- The southern region is mountainous; the central region is hilly and mountainous; the northern region is flat plains.
- Germany contains the most important commercial waterway in Europe (Rhine River).



Climature

- Most of Germany has a mild, marine climate.
- In the west, winters are mild and summers are cool, with rainfall year round.
- The Gulf Stream warms the region, making the land warmer in the winter and cooling it off in the summer.
- In the east, winters are very cold, while summers are very hot with long dry periods.



Natural Resources

- Germany has many natural resources: iron ore, coal, potash, uranium, nickel, natural gas, & copper.
- Timber is also a resource, but much of the forests in the north have been cut down for farms & towns.
- About 33% of the land is arable.



Where People Live

- Population: 82,000,000
- Land Area: 357,022 sq km
- Germany is one of the most densely populated countries in Europe.
- 85% of the population lives in urban areas (cities).
 - Berlin is the largest city & the capital.





Trade

- Rhine River is very important for trade.
- Many German cities lie along the Rhine.
 - Location gives those cities an excellent way to transport goods & people.



Russia



Location

- Russia spans 2 continents: Europe & Asia.
 - It is so wide that a train trip across takes a week!
- Russia shares a border with 15 countries.
- The eastern side is bounded by Pacific Ocean, and the northern side is bounded by Arctic Ocean.
 - At its closest point, Russia & US are only 3 miles apart across Bering Strait!

Location & Trade

- European Russia is mostly landlocked (difficult for trading via ship)
 - 2 exceptions: Murmansk & St. Petersburg



Climate

- Russia only has 2 seasons—winter and summer.
 - The average yearly temperature is below freezing!
- Asian Russia (Siberia) has the most extreme climate:
 - lows -40 degrees & highs over 90 degrees
- 73% of population lives in European Russia (because it's warmer).

Natural Resources

- Vast forests for lumber are found here, but many have been cleared away for cities on the European side.
- Deposits of gold, aluminum ore, coal, & iron are found in the Ural Mountains.
- Volga River (largest river in Europe) is a major source of hydroelectric power.

Natural Resources

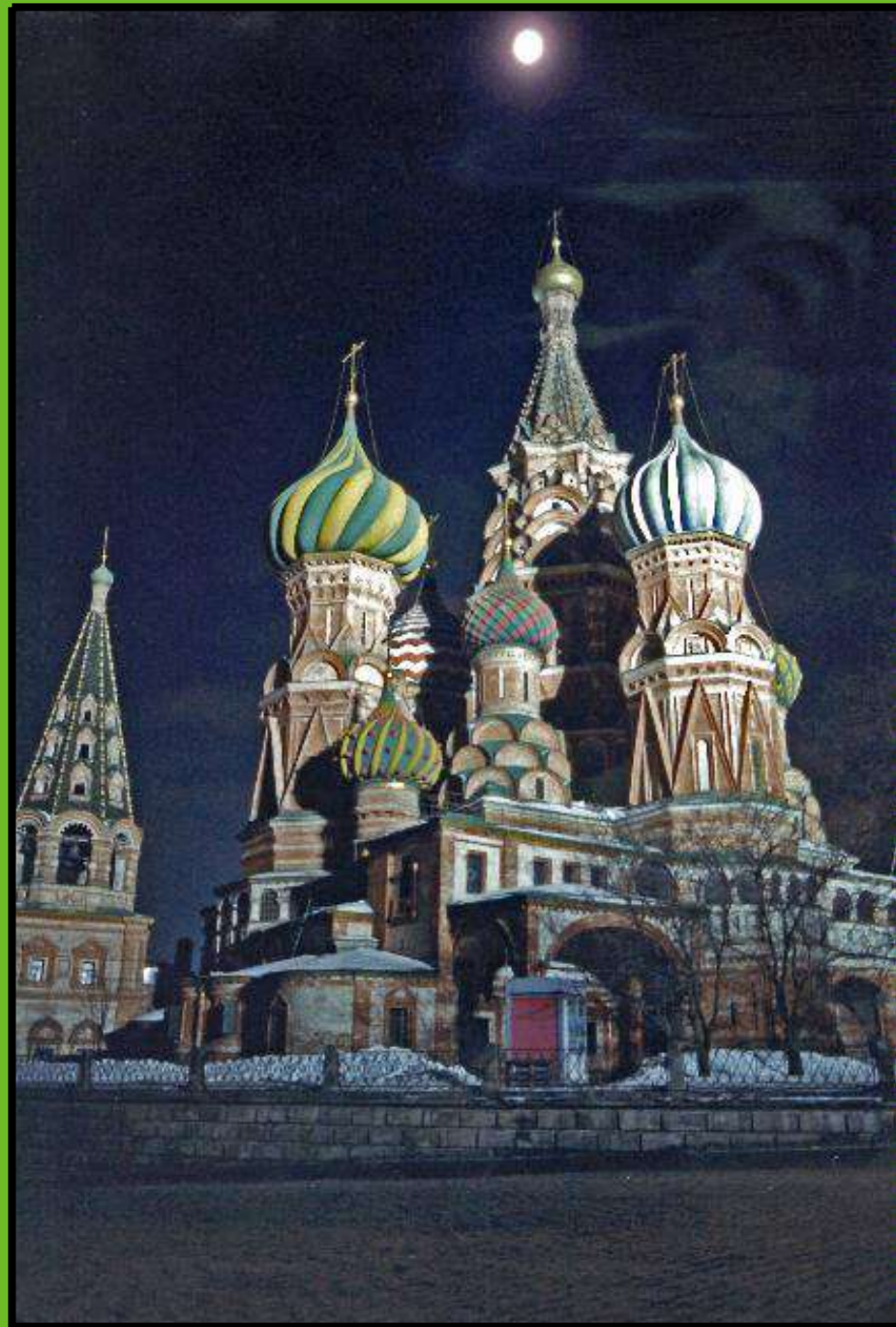
- Russia's large size, rugged terrain, and cold climate make it difficult for Russians to use their resources.



Where People Live

- Russia is one of the most populous countries in the world, with 145.5 million people.
- Land Area: 17,098,242 sq km
- Most people live WEST of the Ural mountains, where the climate is mildest and the land is the most fertile.

St. Basil's Cathedral



Mt. Elbrus



Moscow Business Center



Kremlin Senate



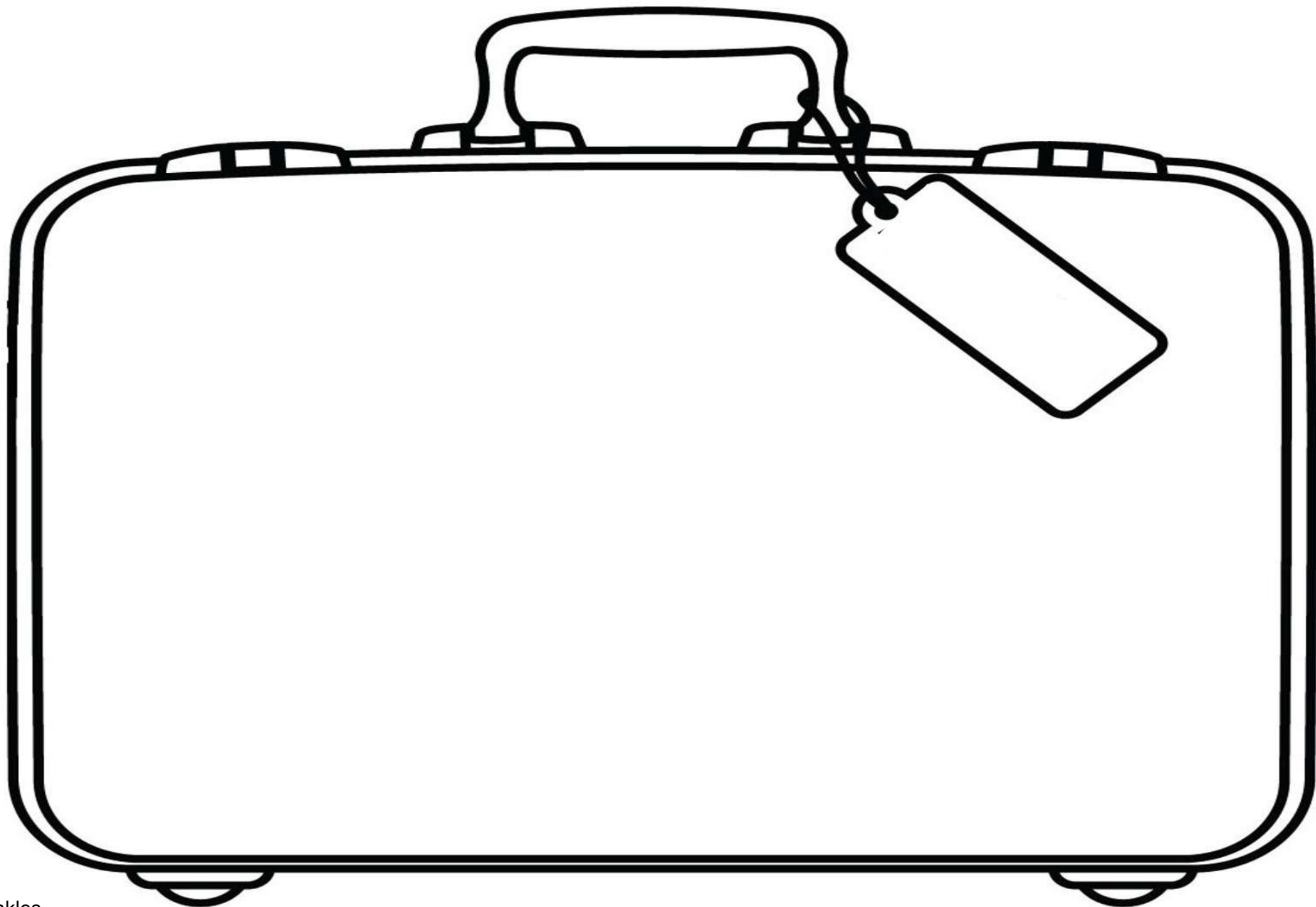
Triumph Palace



Pack Your Bags!

Which country would you most like to visit: UK, Russia, Italy, or Germany?

- Inside of the suitcase, draw 5 things that you will take with you to this country.
 - Think about the location, climate, physical features, and natural resources of the country.
- Next, include a brief description of why you chose to bring that particular item.



Real Estate Advertisement

- Choose one of the countries that we are studying.
- Create an advertisement for land that is available to settle within the country.
- Write a testimonial statement that promotes your land, as well as brief descriptions of climate, land features, and natural resources in the country.
- You should also draw illustrations of the land, climate, landforms, and resources.

Fieldtrip Wish List

Wouldn't it be awesome to take a fieldtrip to one of the countries that we are studying? Write me a note to try and convince me to take your class to this country. Include at least THREE reasons why we should go there. Also, draw an illustration to go with your note.

From the Desk of...

Fieldtrip Wish List

Wouldn't it be awesome to take a fieldtrip to one of the countries that we are studying? Write me a note to try and convince me to take your class to this country. Include at least THREE reasons why we should go there. Also, draw an illustration to go with your note.

From the Desk of...