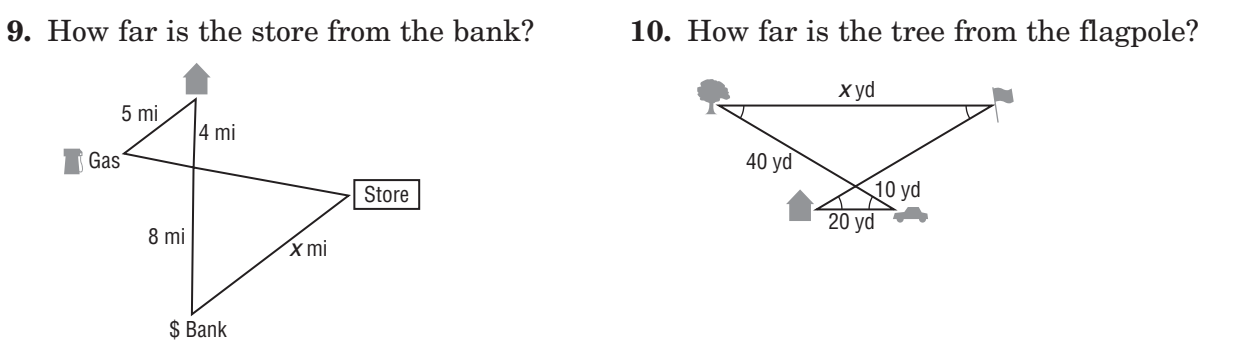
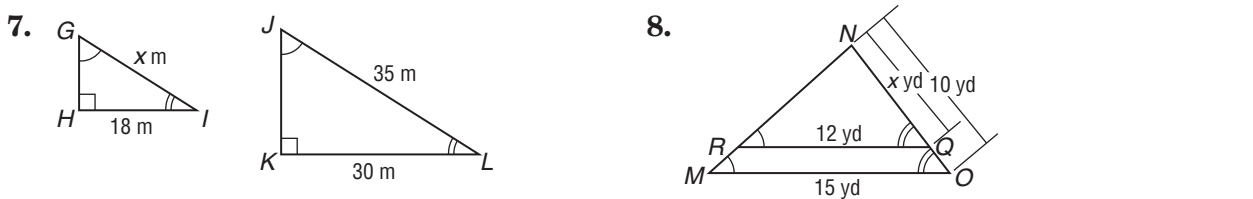
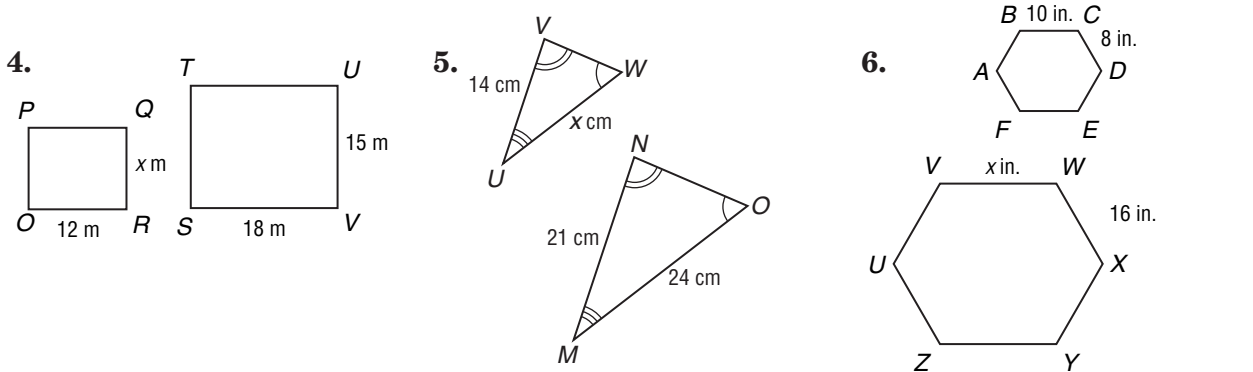
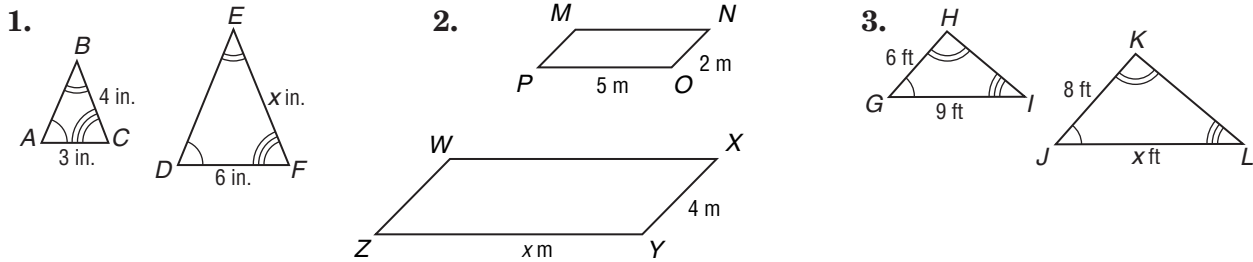


# 9-6 Skills Practice

p. 502: 30 - 36 even

## Similar Polygons and Indirect Measurement

In Exercises 1-10, the triangles are similar. Find each value of  $x$ .



For Exercises 11 and 12, write a proportion. Then determine the missing measure.

11. **ANIMALS** At the same time a 12-foot adult elephant casts a 4.8-foot shadow, a baby elephant casts a 2-foot shadow. How tall is the baby elephant?
12. **AIRPORTS** If a 12-meter-tall airplane hangar casts a 18-meter shadow at the same time a parked jet casts a 6-meter shadow, how tall is the jet?

Copyright © Glencoe/McGraw-Hill, a division of The McGraw-Hill Companies, Inc.