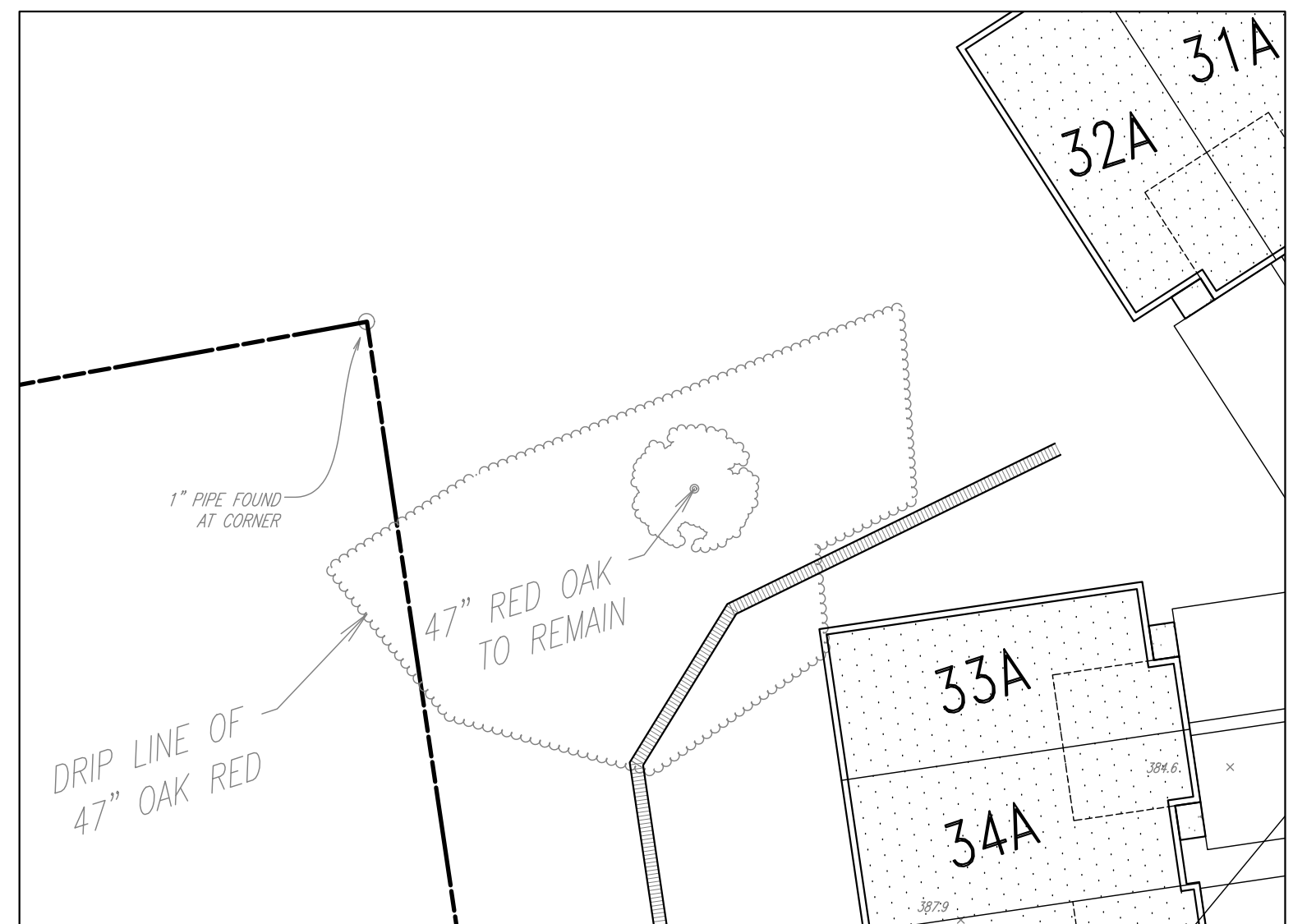
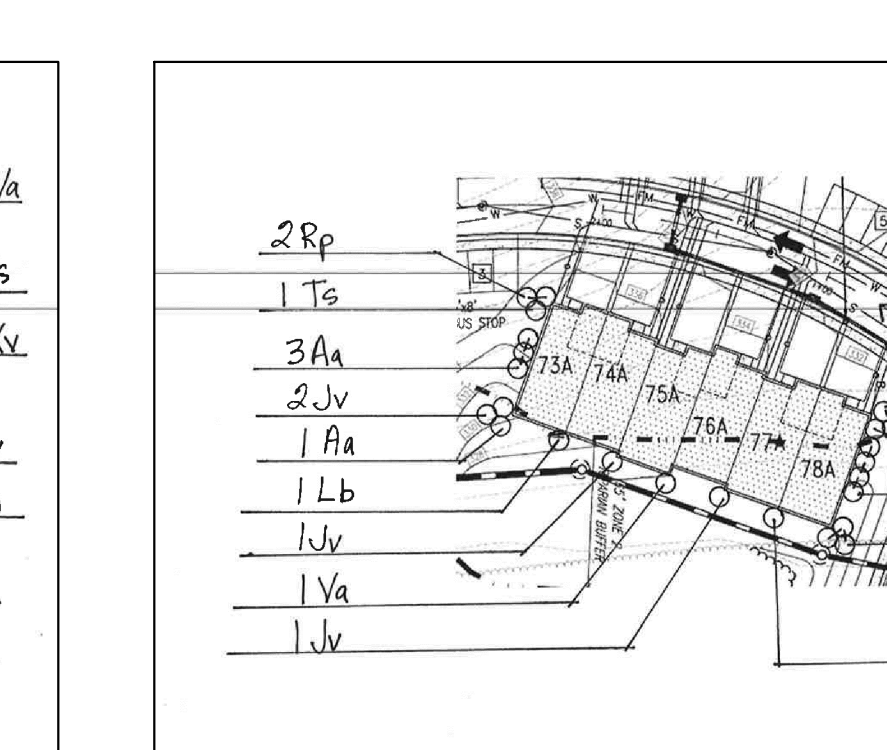
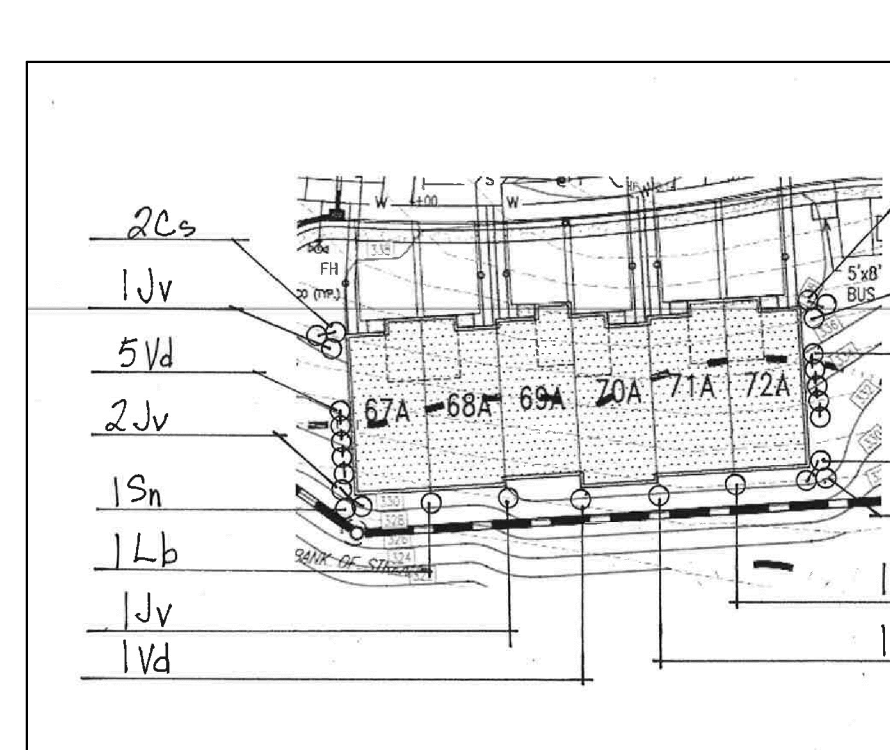
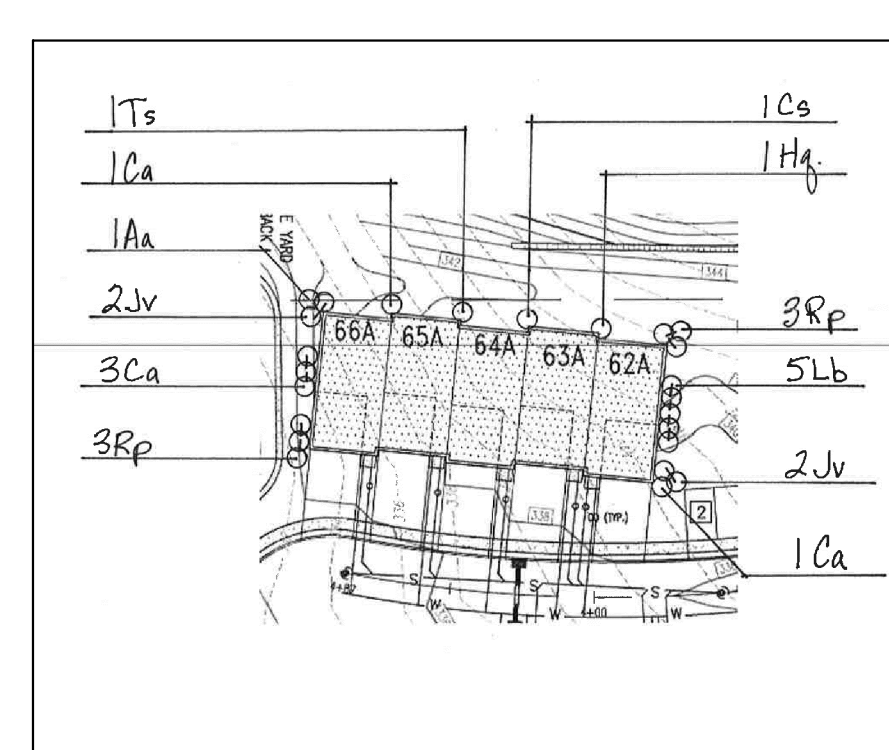
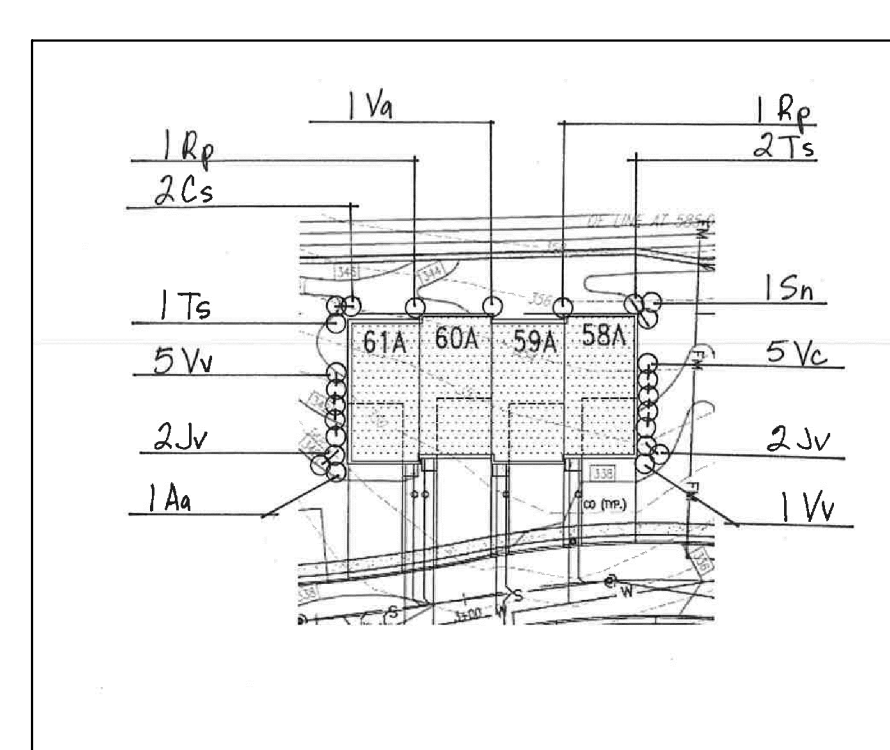
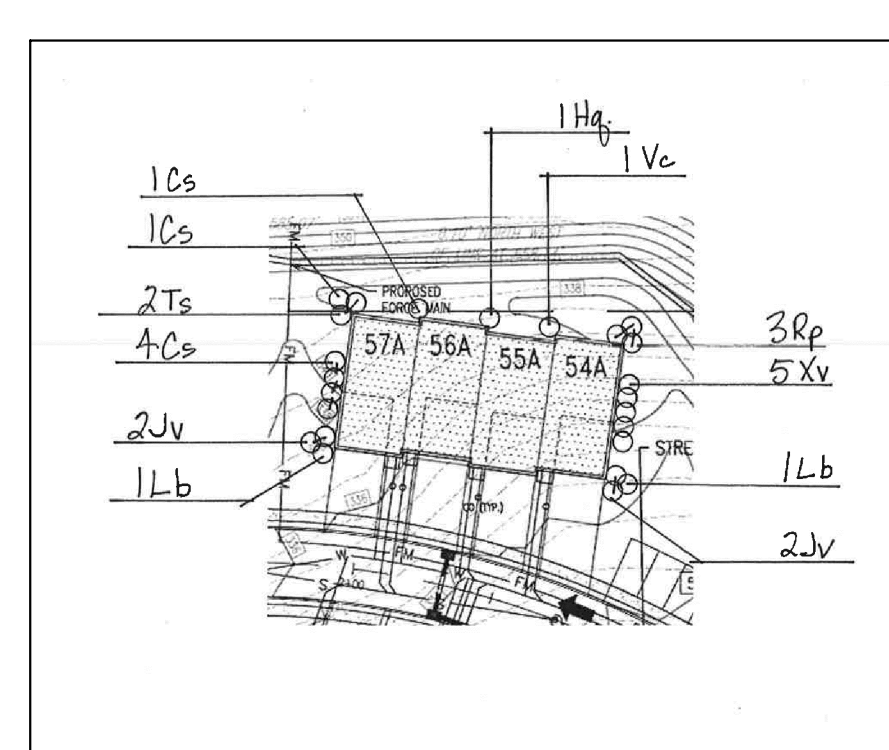
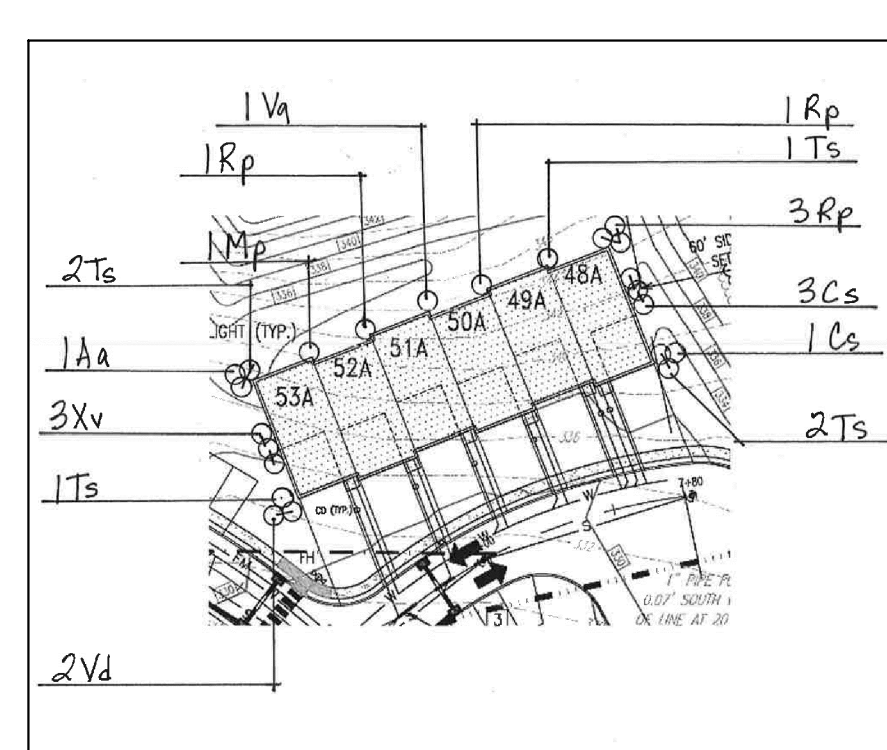
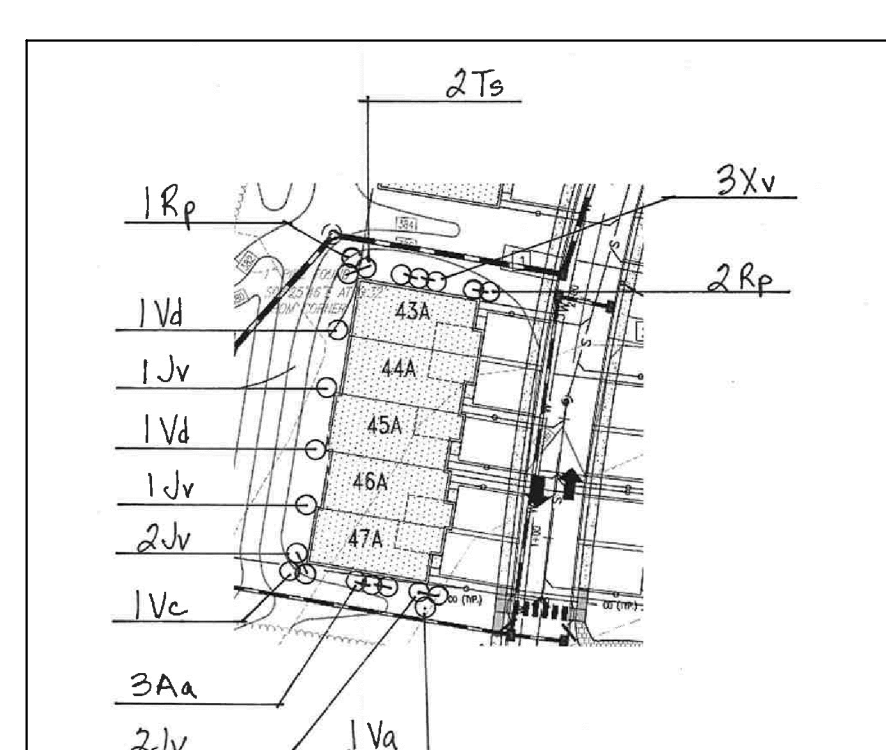
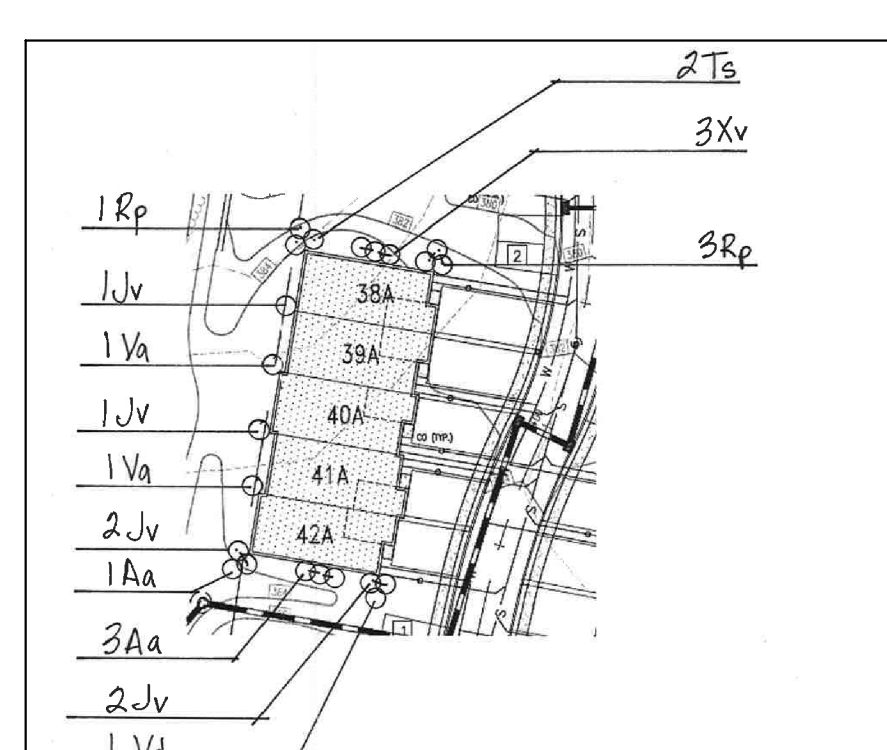
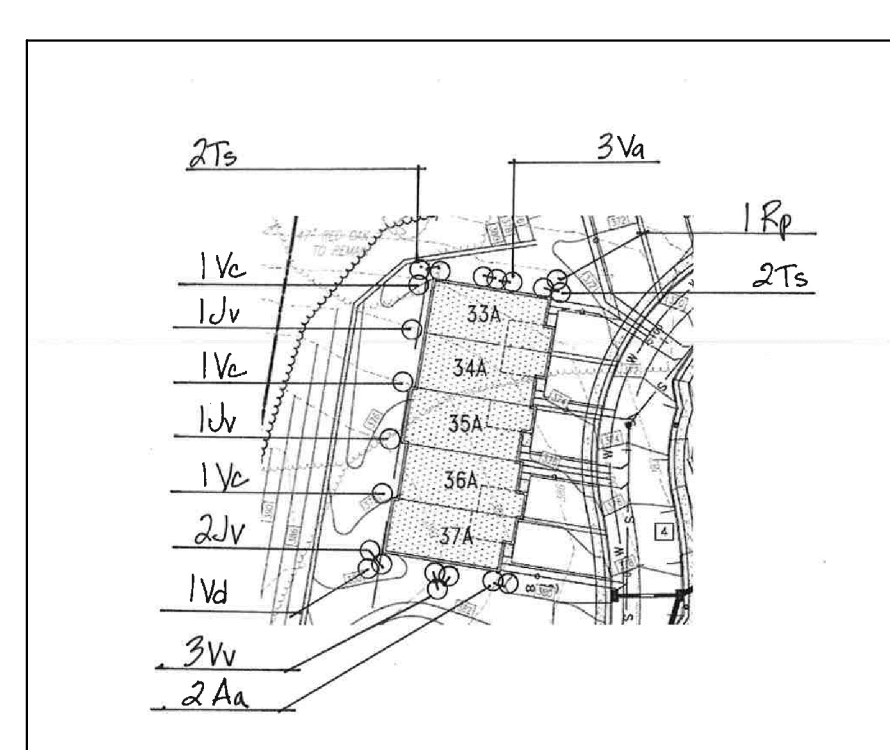
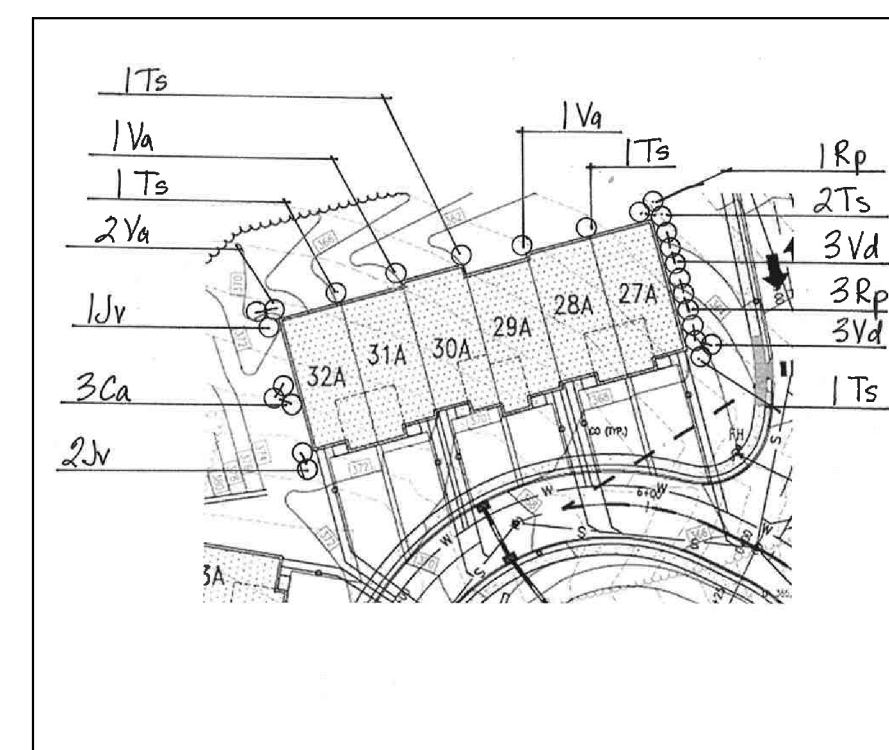
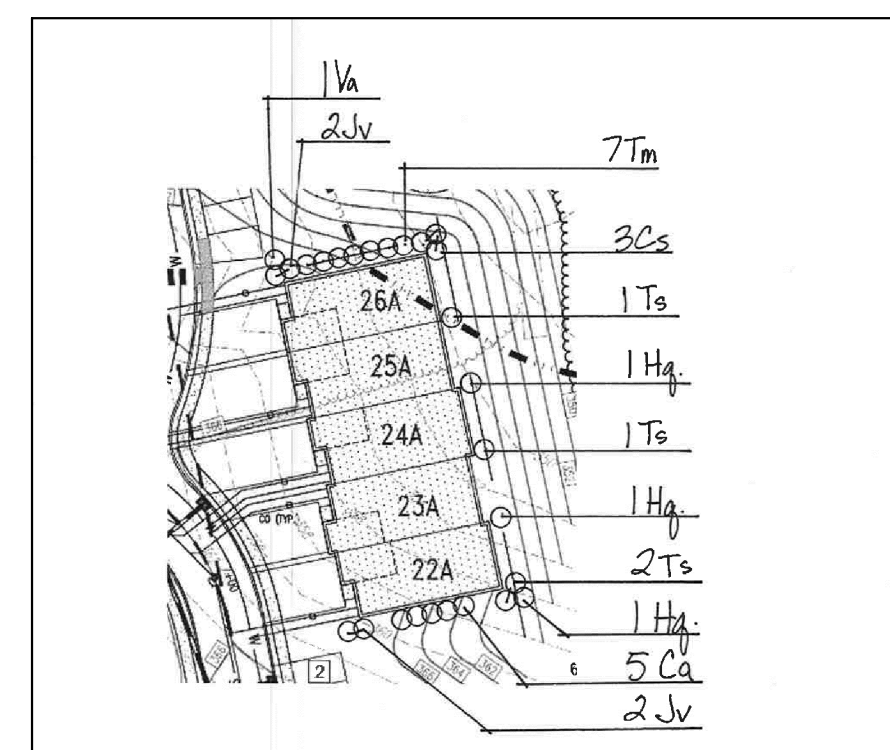
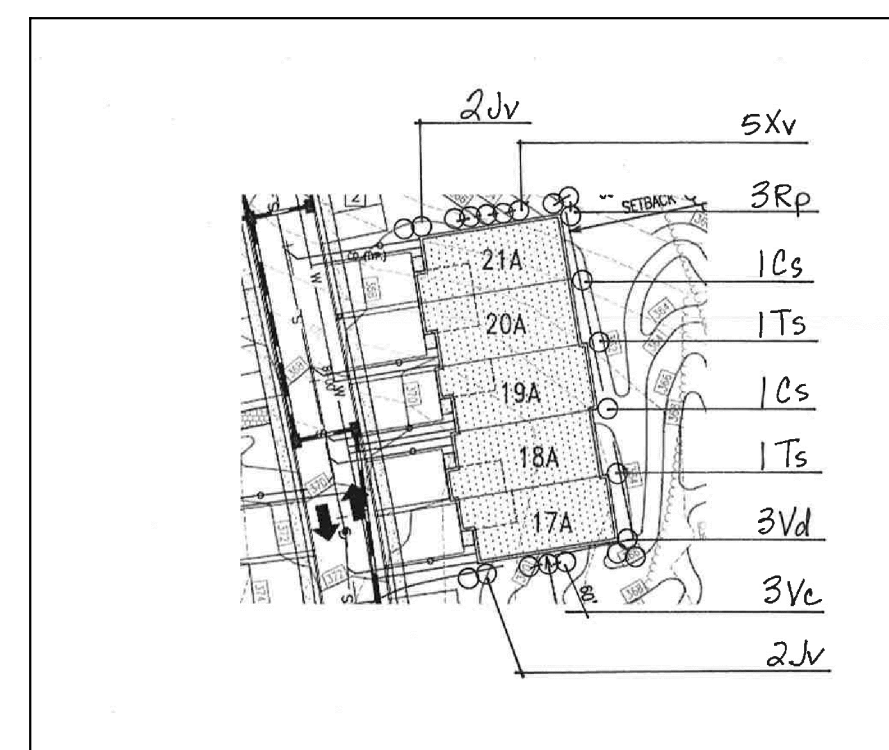
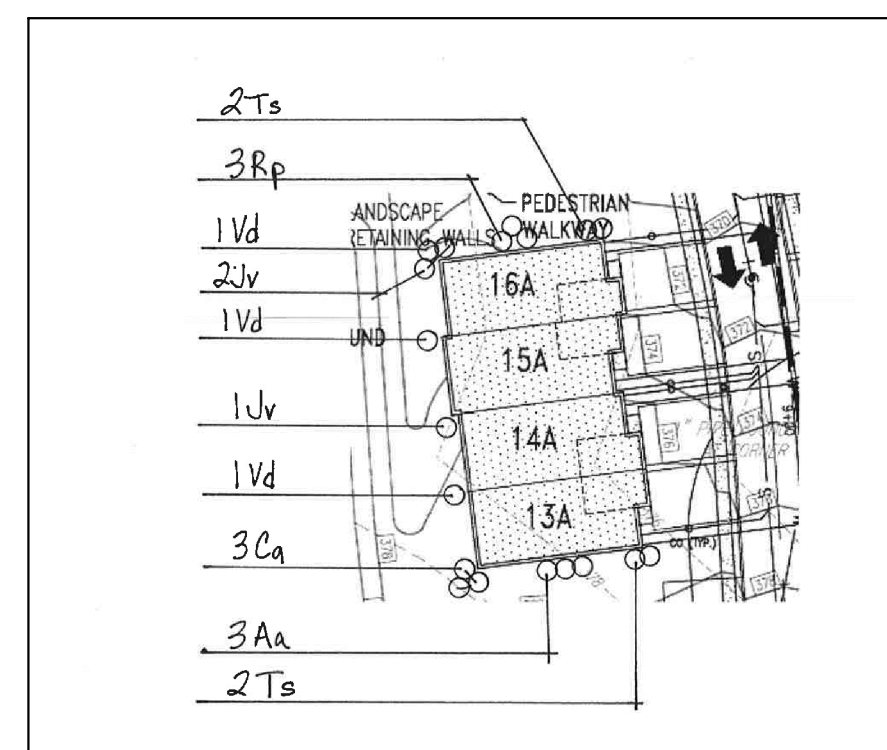
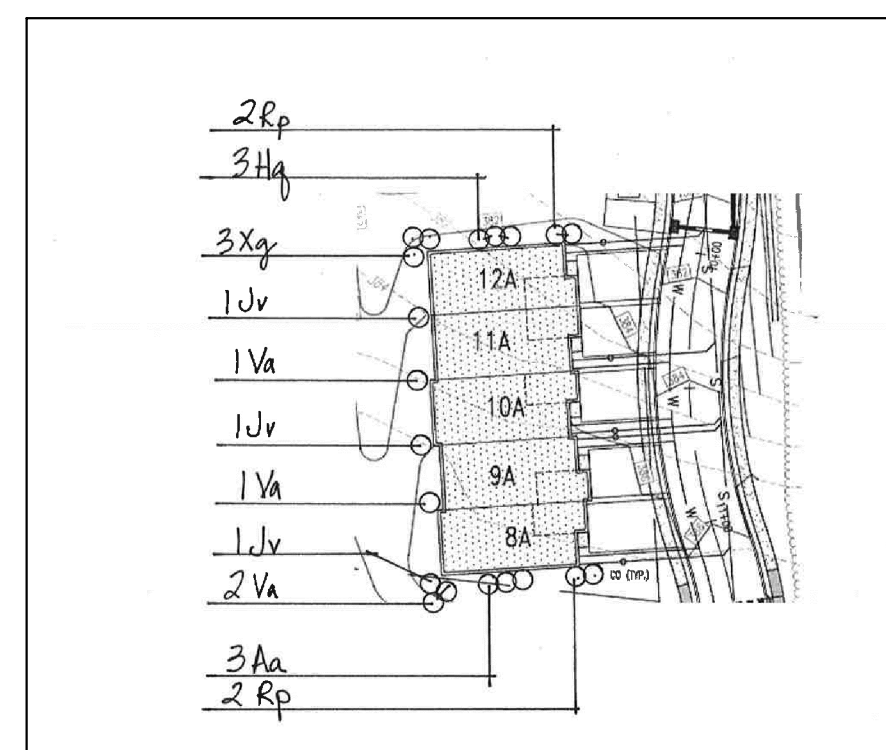
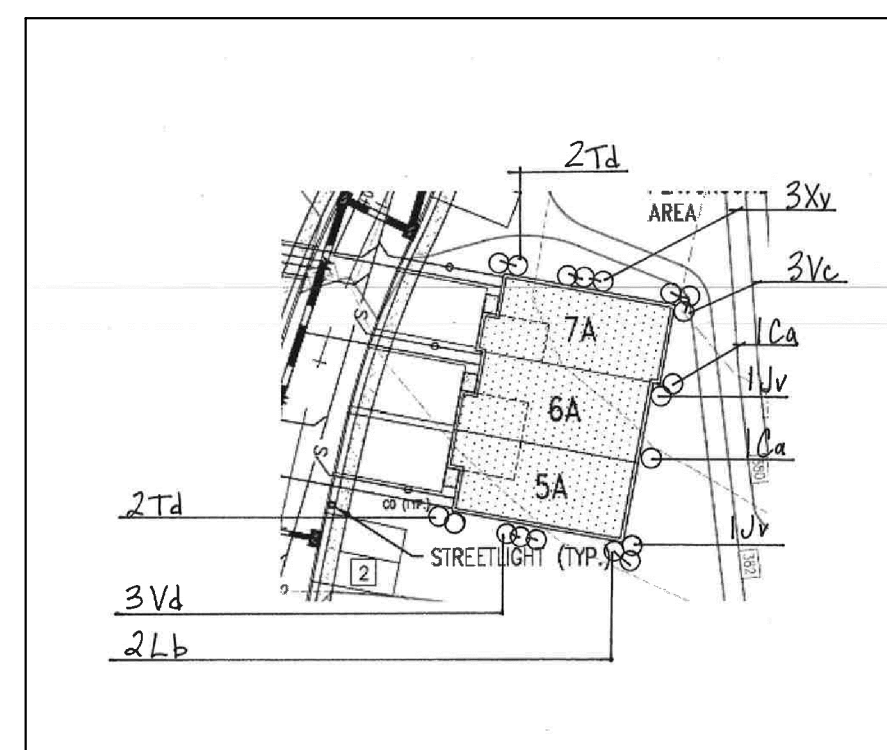
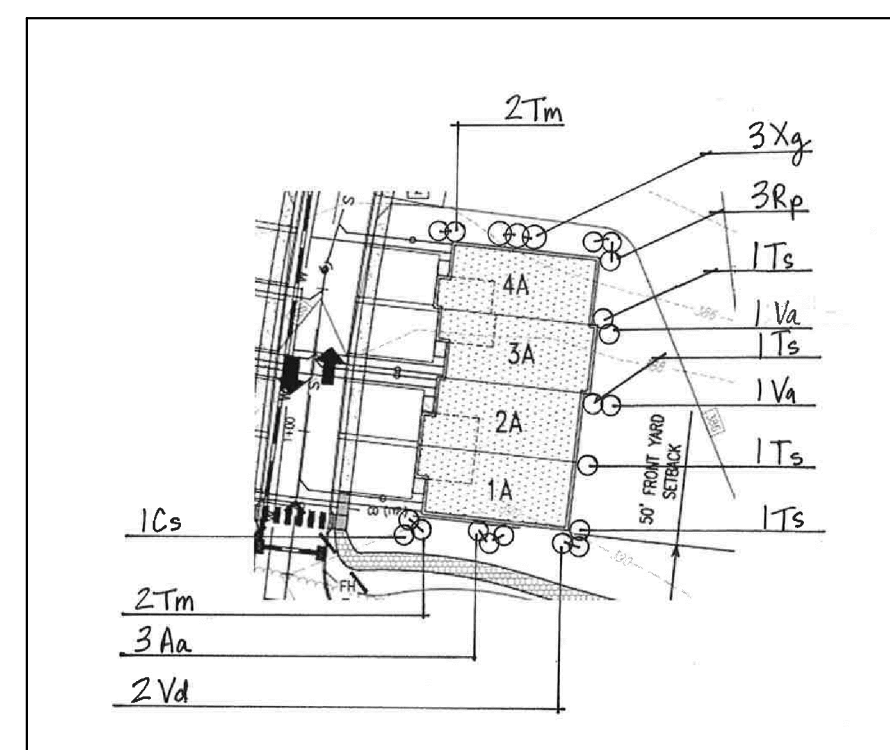


DLHowell

Civil Engineering
Land Planning
Environmental
www.DLHowell.com

1250 Wrights Lane
West Chester, PA 19380
Phone: (610) 918-9002
Fax: (610) 918-9003



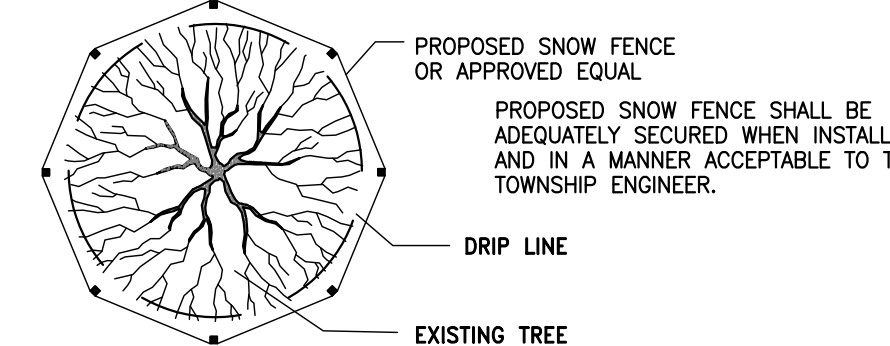
47" RED OAK TO REMAIN
NO SCALE

WHERE DISTURBANCE IS PROPOSED WITHIN THE DRIP LINE OF A TREE, THE FOLLOWING MEASURES SHALL BE ADOPTED BY THE SITE CONTRACTOR:

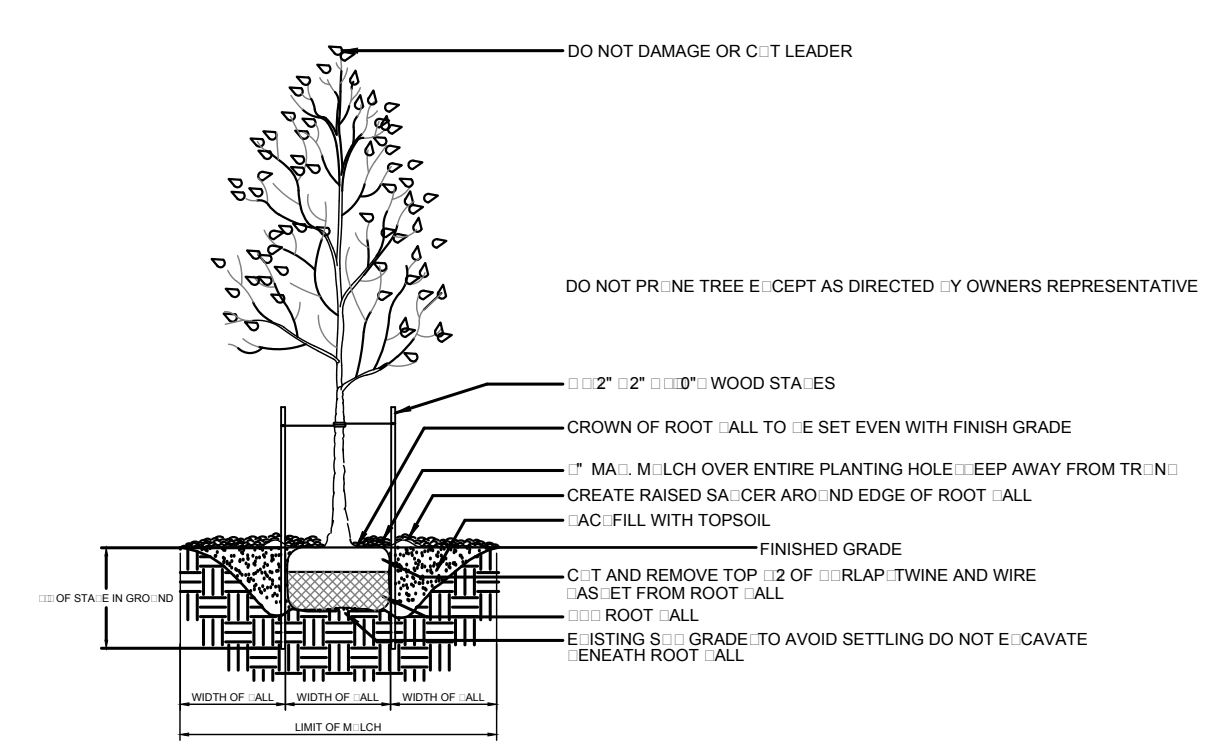
1. AIRSIDE ENTIRE AREA TO BE DISTURBED - ROOT PRUNE PROPERLY AND SOIL DRENCH WITH FERTILIZER.
2. APPLY MULCH TO DISTURBED AREA AND ENTIRE ROOT ZONE.
3. TWO WEEKS AFTER THE DISTURBED AREA CAN BE EXCAVATED AND ANY ROOTS THAT WERE NOT PRESENT BE PRUNED.
4. WHEN CONSTRUCTION IS COMPLETE, LEAVE 10" TO APPLY TO SOILS.
5. IN FOLLOWING SPRING, FERTILIZE AGAIN.
6. THE OPTIMUM TIME TO DO THIS WORK IS BETWEEN MID-AUGUST AND EARLY MARCH OF EACH YEAR.

NOTES:

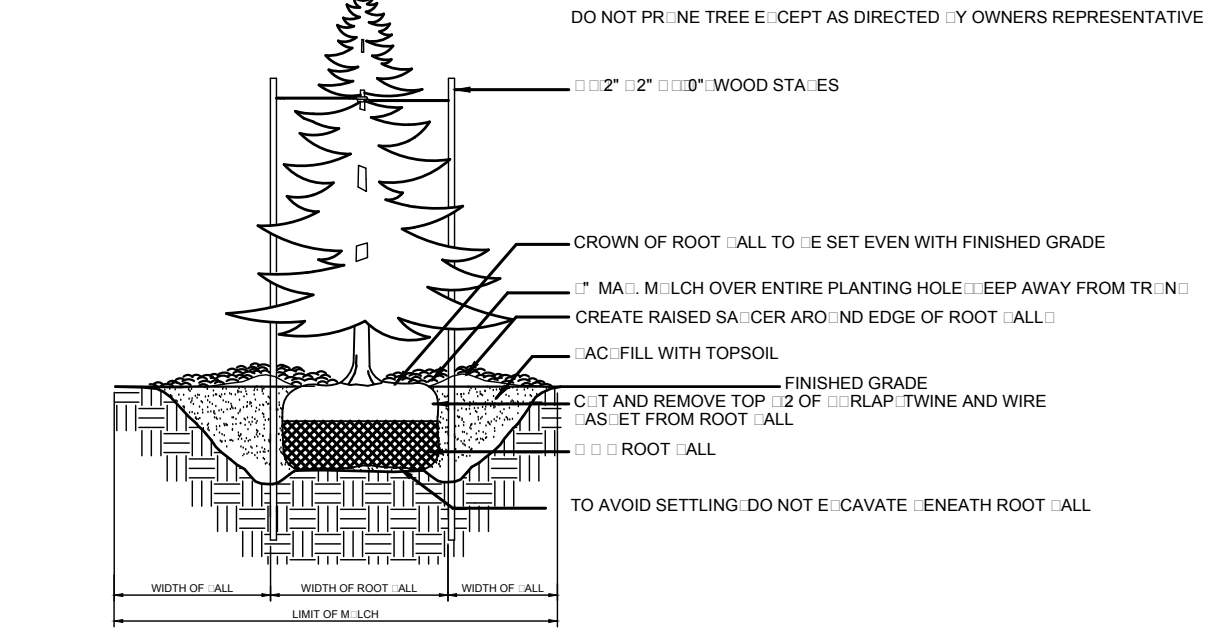
1. WHERE EXISTING GROUND LEVELS ARE CHANGED, DRAINAGE TILE WILL BE PAVED AT THE OLD SOIL LEVEL AND OPEN INTO A WELL BUILT AROUND THE BASE OF THE TREE. SUCH WELLS MAY BE LEFT OPEN OR CAN BE FILLED WITH CONCRETE STONES OR GRAVEL. TILES MAY BE INSTALLED IN A RADIAL PATTERN OR Laid IN PARALLEL LINES.
2. THOSE TREES WHICH HAVE BEEN DELINEATED ON THE PLAN AND ARE WITHIN 25 FEET OF A PROPOSED BUILDING EXCAVATION OR OTHER LOCATIONS DEEMED APPROPRIATE BY THE TOWNSHIP ENGINEER SHALL BE PROTECTED BY INSTALLING AND MAINTAINING A FENCE AT THE DRIP LINE.
3. NO BOARDS OR OTHER MATERIAL SHALL BE NAILED TO TREES DURING CONSTRUCTION.
4. HEAVY EQUIPMENT OPERATORS SHALL AVOID DAMAGING EXISTING TREE TRUNKS AND ROOTS. FEEDER ROOTS SHALL NOT BE CUT CLOSER THAN 25 FEET FROM TREE TRUNKS.
5. TREE TRUNKS AND EXPOSED ROOTS DAMAGED DURING CONSTRUCTION SHALL BE PROTECTED FROM FURTHER DAMAGE BY BEING TREATED IMMEDIATELY.
6. TREE LIMBS DAMAGED DURING CONSTRUCTION SHALL BE PROPERLY PRUNED AND TREATED IMMEDIATELY.
7. THE OPERATIONS OF HEAVY EQUIPMENT OVER ROOT SYSTEMS OF SUCH TREES SHALL BE MINIMIZED IN ORDER TO PREVENT SOIL COMPACTION.
8. DAMAGED TREES SHALL BE FERTILIZED TO AID IN THEIR RECOVERY.
9. CONSTRUCTION DEBRIS SHALL NOT BE DISPOSED OF NEAR OR AROUND THE BASES OF SUCH TREES.



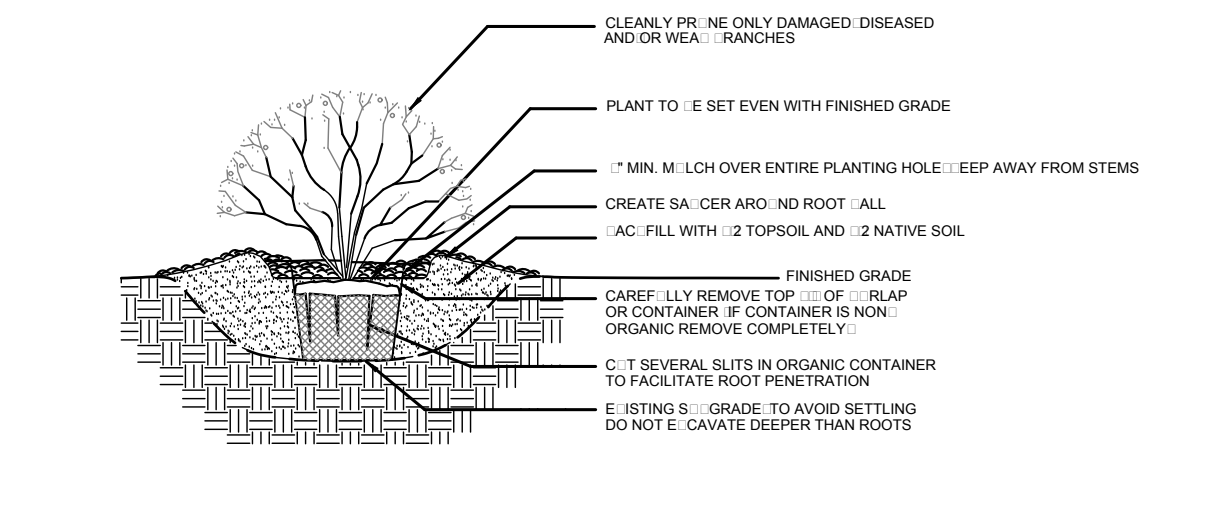
TREE PROTECTION DETAIL
NO SCALE



TYPICAL DECIDUOUS TREE PLANTING DETAIL
NOT TO SCALE



TYPICAL EVERGREEN TREE PLANTING DETAIL
NOT TO SCALE



TYPICAL SHRUB PLANTING DETAIL
NOT TO SCALE

PLANT SCHEDULE

KEY	QTY	BOTANICAL NAME	COMMON NAME	SIZE	REMARKS
STREET TREES AND SHADE TREES					
Ar	15	Acer rubrum 'October Glory'	red maple 'October Glory'	3-3 1/2" cal.	B&B
Bn	7	Betula nigra 'Heritage'	Heritage river birch	3-3 1/2" cal.	B&B
Cw	8	Carpinus caroliniana Walter	Walter ironwood	3-3 1/2" cal.	B&B
Cr	8	Crataegus tricuspidata var. 'nervis' 'Shademaster'	Shademaster honey locust	3-3 1/2" cal.	B&B
Lt	3	Liriodendron tulipifera	tulip poplar	3-3 1/2" cal.	B&B
Pb	14	Platanus acerifolia 'Bloodgood'	Bloodgood London planetree	3-3 1/2" cal.	B&B
Qa	5	Quercus alba	white oak	3-3 1/2" cal.	B&B
Qr	2	Quercus imbricaria	shingle oak	3-3 1/2" cal.	B&B
Qr	11	Quercus rubra	red oak	3-3 1/2" cal.	B&B
Ta	14	Tilia americana	American Linden	3-3 1/2" cal.	B&B
Uc	6	Ulmus carpinifolia 'homestead'	Homestead elm	3-3 1/2" cal.	B&B
ORNAMENTAL TREES					
Ac	28	Ambelanchier canadensis	serviceberry	2-2 1/2" cal.	B&B
Cc	35	Cercis canadensis	eastern redbud	2-2 1/2" cal.	B&B
Cf	32	Cornus florida 'Constellation'	Constellation flowering dogwood	2-2 1/2" cal.	B&B
Ct	25	Crataegus phanopygum	Washington hawthorn	2-2 1/2" cal.	B&B
Cv	1	Chionanthus virginicus	fringetree	2-2 1/2" cal.	B&B
Mv	7	Magnolia virginiana	sweetbay magnolia	2-2 1/2" cal.	B&B
EVERGREEN TREES					
Jv	58	Juniperus virginiana 'Taylor'	Taylor eastern redcedar	5' ht. min.	B&B
Pr	55	Picea rubens	red (eastern or yellow) spruce	8' ht. min.	B&B
Ts	44	Thuja occidentalis 'Smaragd'	Emerald Green arborvitae	5' ht. min.	B&B
Xo	41	Ilex opaca	American holly	5' ht. min.	B&B
DECIDUOUS SHRUBS					
Aa	85	Aronia arbutifolia	red chokeberry	18" spread	5' o.c.
Ca	73	Clethra alnifolia	summersweet	18" spread	5' o.c.
Cs	57	Cornus sericea	red osier dogwood	18" spread	3.5' o.c.
Hq	34	Hydrangea quercifolia	oakleaf hydrangea	18" spread	5' o.c.
Lb	25	Lindera benzoin	spicebush	18" spread	5' o.c.
Mp	1	Myrica pennsylvanica	northern bayberry	18" spread	5' o.c.
Sn	21	Sambucus nigra 'Aurea'	Aurea elderberry	18" spread	5' o.c.
Va	101	Viburnum acerifolium	maple leaf viburnum	18" spread	5' o.c.
Vc	42	Vaccinium corymbosum	highbush blueberry	18" spread	5' o.c.
Vd	77	Viburnum dentatum	arrowwood viburnum	18" spread	4' o.c.
Vv	66	Vaccinium vacillans	lowbush blueberry	18" spread	3' o.c.
Xv	131	Ilex verticillata 'Winter Red'	Winter Red winterberry (5:1 female:male)	18" spread	4' o.c.
EVERGREEN SHRUBS					
Rp	76	Rhododendron x 'P.J.M.'	P.J.M. rhododendron	2 gal.	5' o.c.
Tm	11	Taxus media 'Densiformis'	dense spreading yew	12" spread	3' o.c.
Td	4	Thuja occidentalis 'Danica'	Danica arborvitae	12" spread	3' o.c.
Xg	6	Ilex glabra densa	holuberry	18" spread	4' o.c.
HERBACEOUS PERENNIALS AND GRASSES					
Ba	85	Baptisia 'Kingfisher' 'prairieblues'	Midnight blue false indigo	Plug LP50	12" o.c.
Cm	180	Cornopsis verticillata 'Moonbeam'	Moonbeam thread-leaf cornopsis	Plug 72	12" o.c.
Ep	55	Echinacea purpurea 'Ruby Star'	Ruby Star purple coneflower	Plug LP50	12" o.c.
Ha	43	Hydrangea arborescens 'Annabelle'	Annabelle hydrangea	1 gal.	4' o.c.
Mf	75	Monarda fistulosa	wild bergamot	Plug LP50	12" o.c.
So	75	Solidago 'Solar Cascade'	Solar Cascade goldenrod	Plug LP50	12" o.c.
Ss	75	Schizachyrium scoparium 'Standing Ovation'	Standing Ovation little bluestem	Plug LP50	12" o.c.
Tc	25	Travella cordifolia 'Brandywine'	Brandywine foam flower	Plug LP32	12" o.c.

PRELIMINARY
LANDSCAPE DETAILS AND NOTES
OWNER: T.J. HILLENDALE, LP.
PROJECT: SINGULAR SPRINGS II
LOCATION: 127 WEST HILLENDALE ROAD
RENNETT TOWNSHIP, CHESTER COUNTY, PA

DATE:	02/24/17
SCALE:	1"=50'
DRAWN BY:	JTE
CHECKED BY:	AMD
PROJECT NO.:	2883
DATE FILED:	LANDSCAPE PLAN.dwg
PLOTTED:	02/24/17
DRAWING NO.:	C09.2
SHEET:	30 of 30