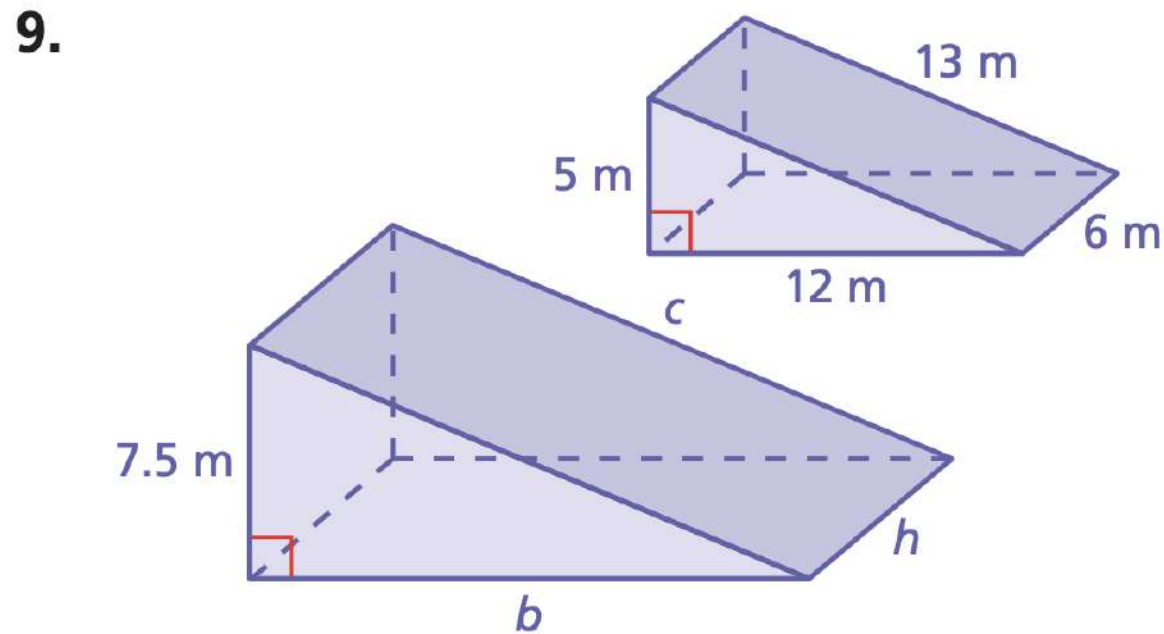
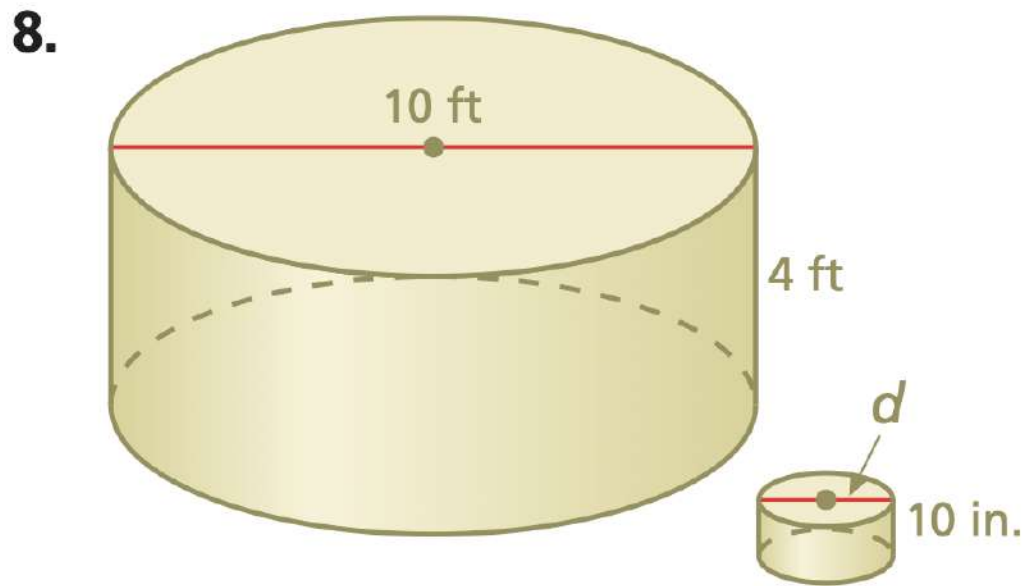
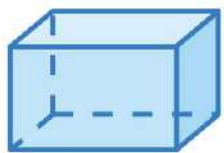


The solids are similar. Find the missing dimension(s).



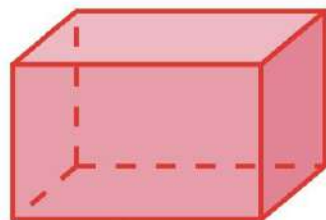
The solids are similar. Find the surface area of the the red solid. Round your answer to the nearest tenth.

10.



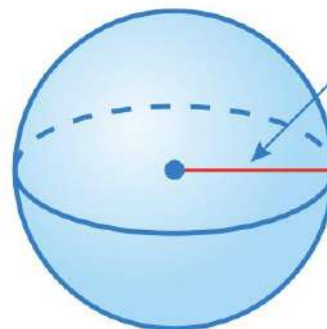
4 m

Surface Area =  $336 \text{ m}^2$

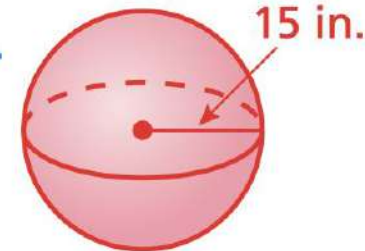


6 m

11.



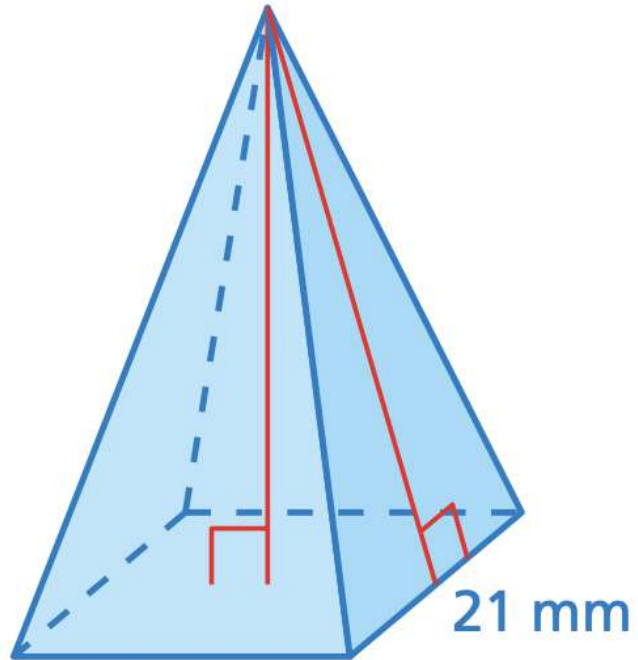
20 in.



15 in.

Surface Area =  $1800 \text{ in.}^2$

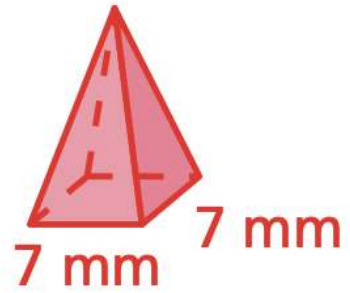
The solids are similar. Find the volume of the the red solid. Round your answer to the nearest tenth.



21 mm

21 mm

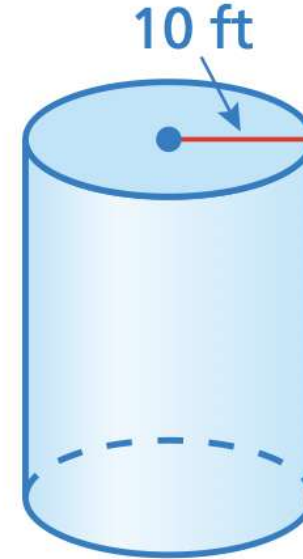
Volume = 5292 mm<sup>3</sup>



7 mm

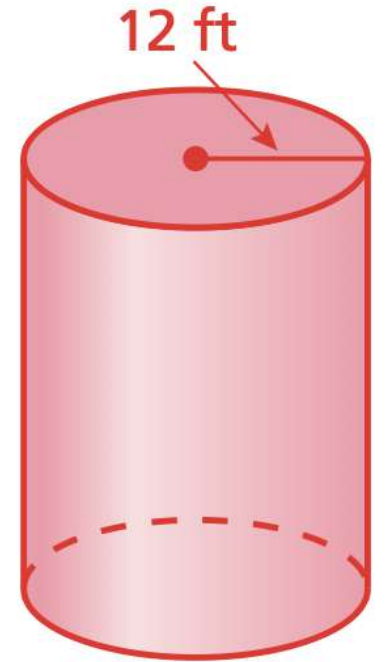
7 mm

13.



10 ft

Volume = 7850 ft<sup>3</sup>



12 ft