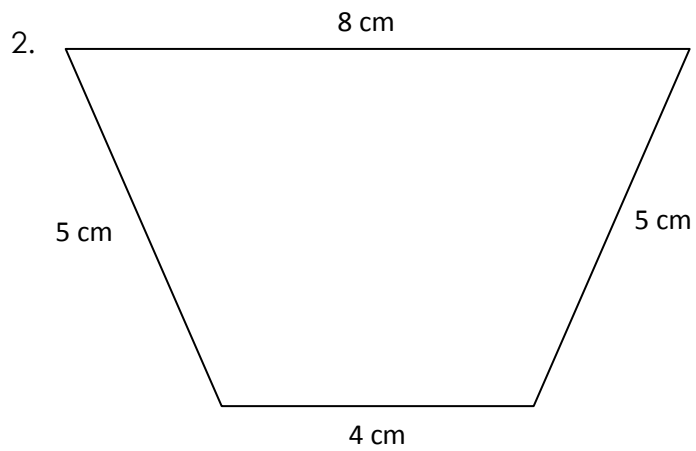
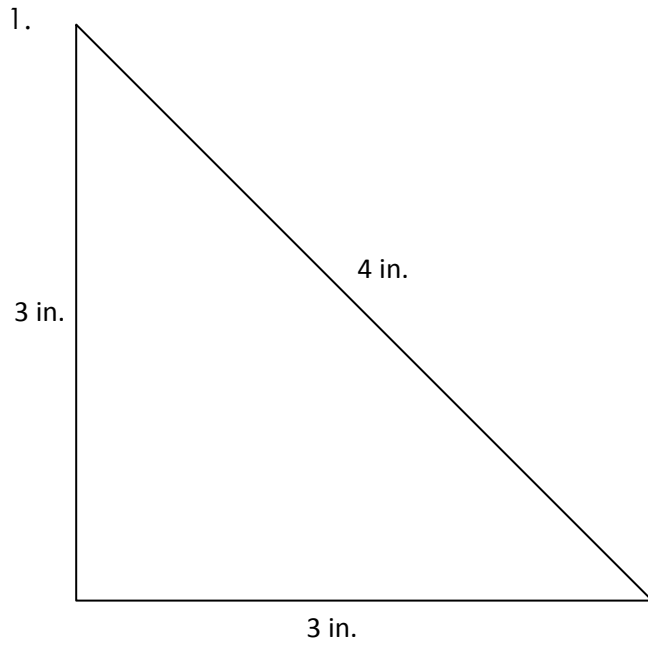


Find the perimeter of the figures below. (2 pts)



3.

3 in.

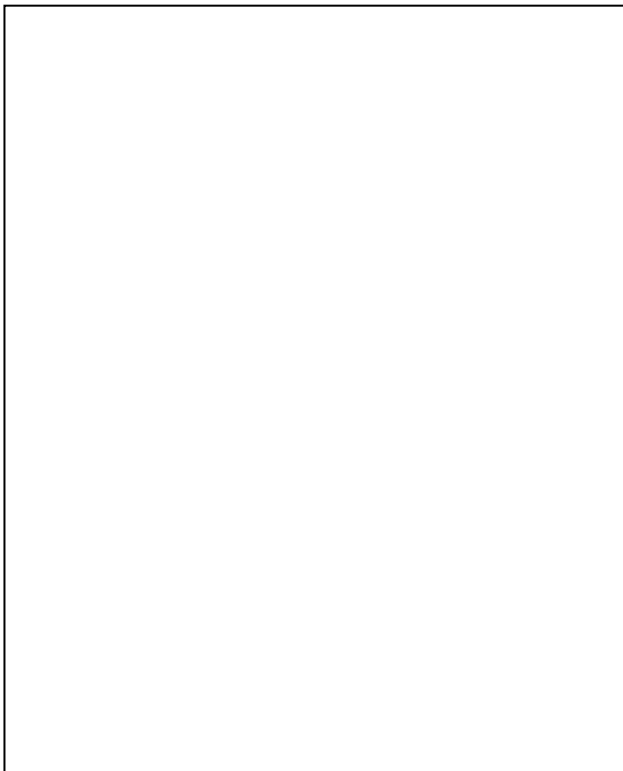
2 in.



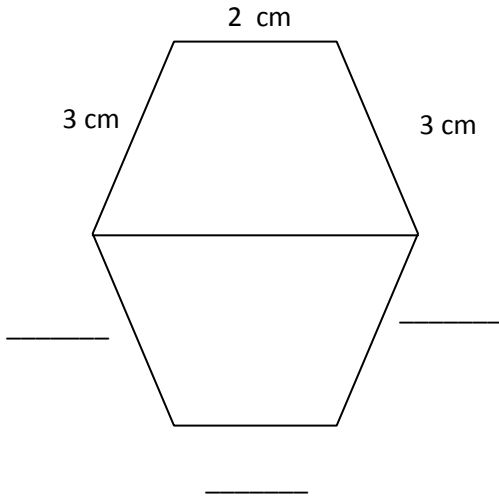
8 cm

4.

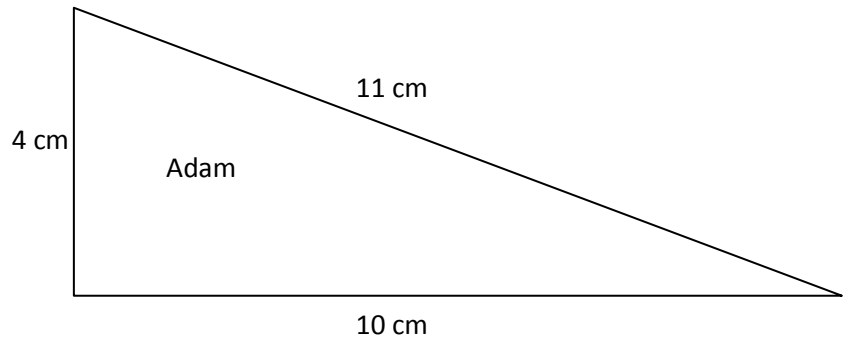
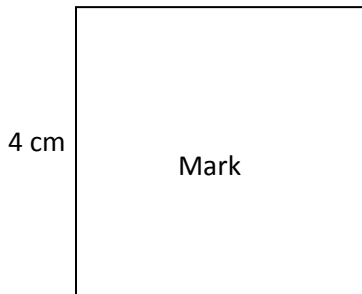
10 cm



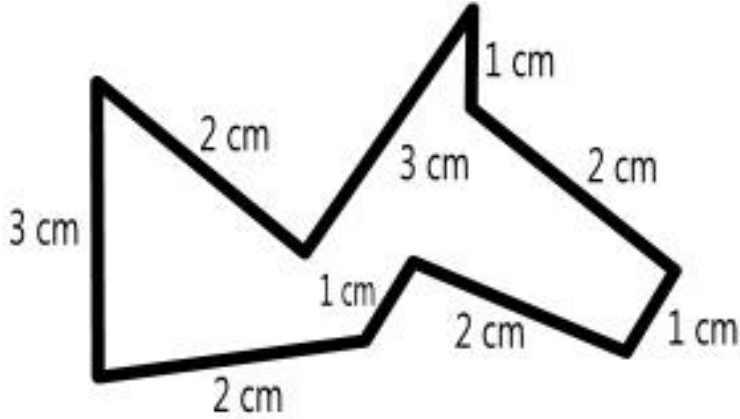
5. Charles drew two equal trapezoids to create the hexagon below. Label the missing side lengths. Then find the perimeter. (4 pts)



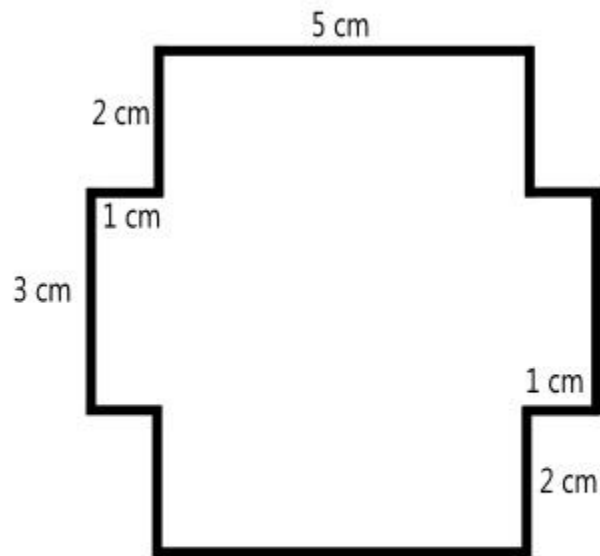
6. Mark and Adam drew the shapes below. Mark said his shape has a greater perimeter because it has more sides than Adam's shape. Is Mark right? Explain your answer. Find the perimeter for each. (6 pts)



7. Find the perimeter. (2 pts)

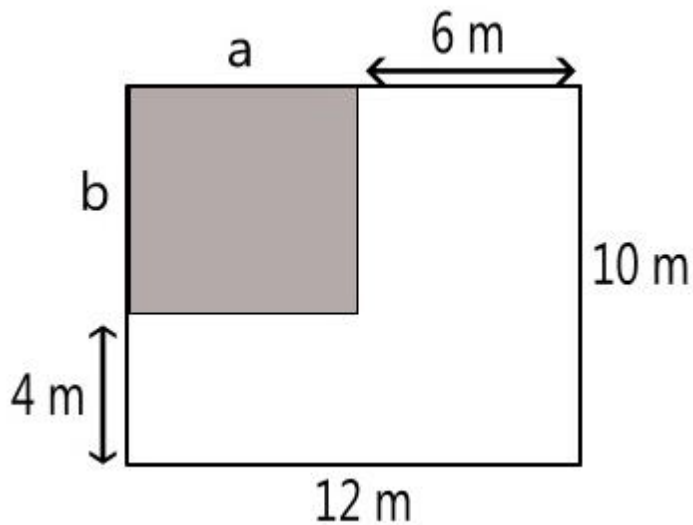


8. Label the missing side lengths. Then find the perimeter. (4 pts)



9. The football team jogged around the football field twice to warm up. The rectangular field measures 49 meters by 110 meters. What is the total number of meters the team jogs? (2 pts)

10. Coach Tommy is helping to decorate for prom. The shaded area will be decorated for the photographer. Coach Tommy will build a small fence around the area needed for the photographer. How much fence will Coach Tommy need? Label the missing side lengths. (4 pts)



Rubric

1	2 pt for correct perimeter	2 points
2	2 pt for correct perimeter	2 points
3	2 pt for correct perimeter	2 points
4	2 pt for correct perimeter	2 points
5	2 pt for correct perimeter 2 pt for correct side lengths	4 points
6	2 pt correct perimeter square 2 pt correct perimeter triangle 2 pt explanation	6 points
7	2 pts correct perimeter	2 points
8	2 pt for correct side lengths 2 pt correct perimeter	4 points
9	2 pt for correct perimeter	2 points
10	2 pt for correct perimeter 2 pt for correct side lengths	4 points
	Total	30 points