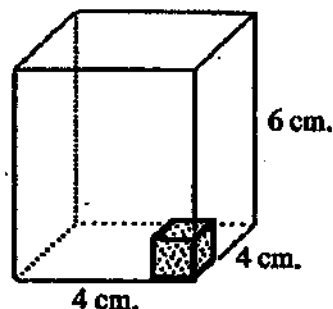


SUNSHINE MATH - 4
Jupiter, IX

Name: _____
(This shows my own thinking.)

- ★★ 1. The *volume* of a box is the number of cubes it would take to fill it up. If each cube is a centimeter on the edges, the volume would be given in *cubic centimeters*. What is the volume of the 4 cm x 4 cm x 6 cm box to the right?

Answer: _____ cubic centimeters

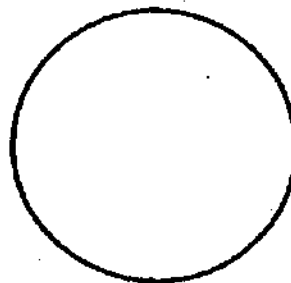


- ★★★ 2. Mario got his \$10.00 weekly allowance on Monday. He spent 25% of his weekly allowance on Tuesday, 15% of his weekly allowance on Wednesday, and 10% more on Thursday. How much money did he have left to spend for the rest of the week?

Answer: _____

- ★★ 3. Shade in $\frac{3}{4}$ of $\frac{1}{2}$ of $\frac{1}{2}$ of the circle. What fraction of the circle is shaded?

Answer: _____ is shaded



- ★★★★ 4. How many outfit combinations are possible with 1 pair of sneakers, 3 tee-shirts and 2 pairs of jeans? Drawing a diagram might help to illustrate your strategy.

DIAGRAM:

Answer: _____ outfits are possible

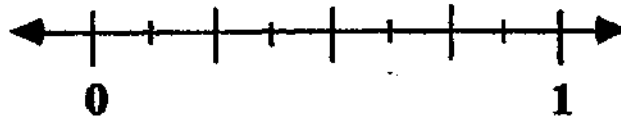
- ★★★ 5. Sonya has x amount of money. Bob has three times as much as Sonya has, less \$14.62. Write an expression, using x , that tells how much does Bob has.

Answer: \$ _____

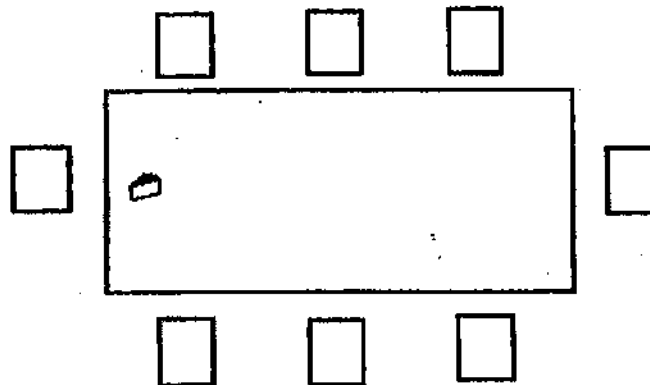
- ★ 6. Mr. Harmen graded 56 papers Monday and 87 papers Wednesday. How many papers did Mr. Harmen grade in the two days?

Answer: _____

- ★ 7. Place the letter X on the number line where $\frac{5}{8}$ would be.



- ★★ 8. Use logic and the clues given to find out who will be sitting in what chair at the Halloween party. Fill each chair with the character's initial.



CLUES

- The Jack-o-lantern sits on the Ghost's immediate right.
- Sleeping Beauty sits across from the Prince.
- The Witch is to the right of Sleeping Beauty.
- The Prince sits between the Jack-o-lantern and the Fireman.
- The Ghost sits at the head of the table with the wedge of cheese.
- The Clown sits to the left of the Robot.