



Piedmont High School Career-Technical Education





Program Areas

- **Agriculture Education**
- **Business & Information Technology Education**
- **Family and Consumer Sciences Education**
- **Health Occupations Education**
- **Marketing Education**
- **Trade and Industrial Education**

***Courses in RED on the slides that follow indicate 9th grade course offerings**

Agriculture Education

Agriscience Applications

Horticulture I

Honors Horticulture II

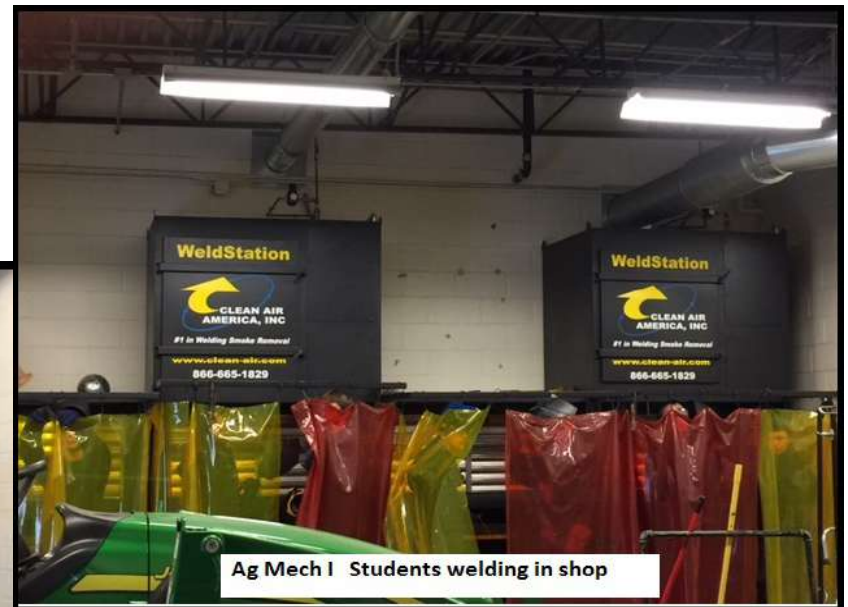
Ag Mechanics I & II

Animal Science I & II

Equine Science I & II



Ag Mechanics I - Students bending copper tubing



Ag Mech I Students welding in shop

Agriculture CTSO- FFA (Future Farmers of America)



Piedmont students compete at the National FFA competition in Louisville, KY

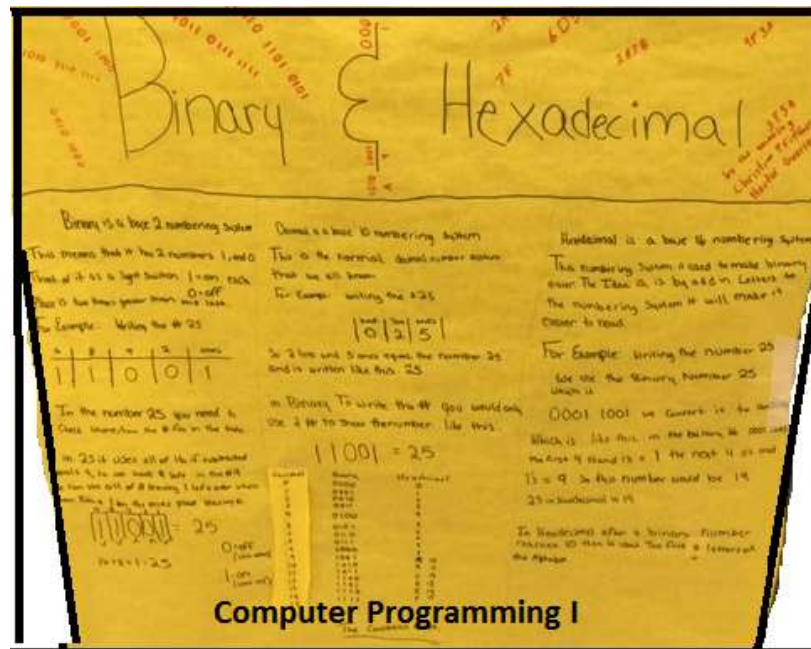
Business & Information Technology

Microsoft Word, PPT & Publisher

Microsoft Excel & Access

Honors Programming I & II (Prerequisite-Math I)

Principles of Business



Business & Information Technology (cont.)

Business Law

Personal Finance

Honors Accounting I & II

Multimedia (Prerequisite for Film and Adobe)

Honors Film Production I & II

Adobe Digital

Adobe Visual



CTSO - FBLA (Future
Business Leaders of America)
Robotics Club

Family and Consumer Sciences

Foods I

Honors Foods II

Parenting

Interior Design I & II



Foods I - Cook, serve and enjoy

CTSO – FCCLA (Family, Career and Community Leaders of America)

Health Occupations



Biomedical Technology

(Recommended prerequisite – Biology)

Honors Health Science I

Honors Health Science II

Honors Nursing Fundamentals



Health Occupations CTSO – HOSA (Future Health Professionals)



HOSA sponsored Blood Drive

Marketing

Marketing

Regular Sports & Entertainment Marketing I

Honors Sports & Entertainment Marketing I & II

Fashion Merchandising

Entrepreneurship I



Trade and Industrial

Piedmont Public Safety/Fire Academy:

Public Safety (Prerequisite for Fire I)

Fire I & II

Fire III & IV



CTSO - SkillsUSA

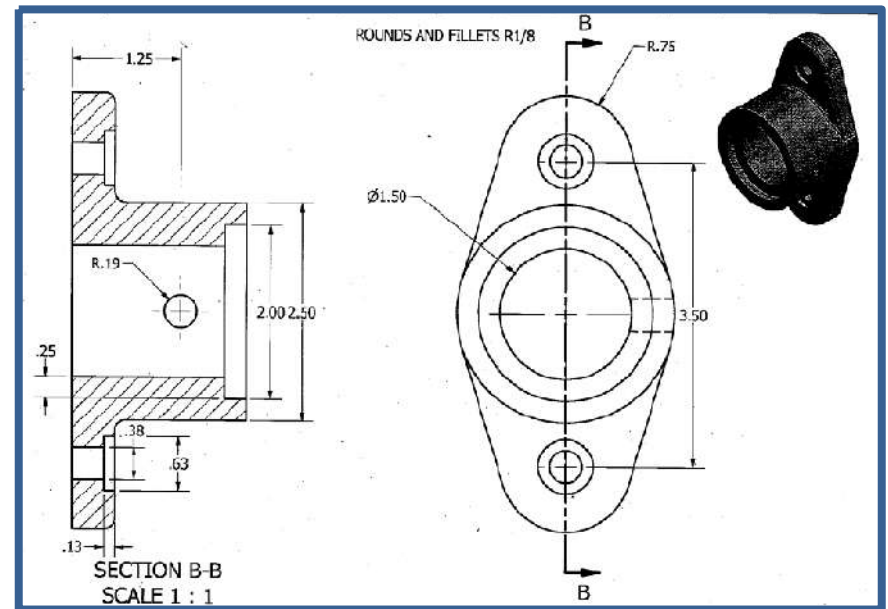


Trade and Industrial

Interested in Architecture or
Mechanical Engineering?

Honors Drafting I (9th-12th grade students)

Prerequisite: Math I



Intro to Automotive Service (9th-12th)

- Prerequisite for Automotive Service or Collision Repair courses available at CATA for 11th and 12th grade students – CATA Academy courses require an application



Highlights for Future Opportunities



**Piedmont students can
follow their area of
interest**

Plan, Prepare and Set Goals =

SUCCESS

Academies at other schools

11th & 12th Grade

- Applications taken in the Spring
- Lottery based on base school enrollment for selection
- Availability according to core course schedule and guidance review

Examples:

½ day at Piedmont, ½ day at an Academy

- Cosmetic Science at Walter Bickett
- Collision Repair at CATA

Union County Academies/Program Areas

Applications taken during Spring registration 10th grade



Central Academy of Technology and Arts

- Engineering Technology
- IT - Networking Engineering Hardware (CATA ONLY)
- IT - Software Development/Game Design (CATA ONLY)
- PLTW Biomedical Technology (CATA ONLY)
- PLTW Engineering
- Transportation - Auto Repair (CATA ONLY)
- Transportation - Collision Repair



Cuthbertson High School

- Drafting
- Film Editing and Production



Forest Hills High School

- Drafting
- Early Childhood Development
- Nurse Assistant
- Project Lead The Way (PLTW) Engineering



Marvin Ridge High School

- Film Editing and Production



Monroe High School

- Broadcasting
- Carpentry
- Electrical Trades
- Engineering Technology
- Film Editing and Production
- Masonry
- Nurse Assistant
- Welding

Union County Academies (cont.)

Applications taken during Spring registration 10th grade



Parkwood High School

- Drafting
- Film Editing and Production
- Heating Ventilation & Air Conditioning (HVAC)
- Nurse Assistant
- Clean Energy Technology



Piedmont High School

- Film Editing and Production
- Public Safety/Fire Fighter Technology
- Nurse Assistant



Porter Ridge High School

- Culinary Arts
- Drafting
- Film Editing and Production
- Veterinarian Technician



Sun Valley High School

- Drafting
- Film Editing and Production
- Public Safety/Fire Fighter Technology
- Aerospace



Weddington High School

- Geographic Information Systems (GIS)
- Project Lead The Way (PLTW) Engineering
- Veterinarian Technician

Importance of Grades to Future Opportunities

Maintain a minimum
of a 3.0 GPA (“B” average)
to enroll in

Career and College Promise courses
your Junior and Senior year

Career and College Promise

The Career and College Promise program (available option for 11th and 12th grade) allows high school students who qualify to enroll in community college courses while still attending their home school.

The course can be used for dual **(Honors)** credit to meet high school graduation requirements and accumulates credits towards an associate's degree or general education credits for college or university credit

Requirements:

- Be a high school **junior** or **senior**
- Have a weighted **3.0 GPA (B average)** on high school courses
- Demonstrate college readiness on an approved assessment or placement test

Work Based Learning

- **Co Op** – 11th and 12th Grade. Take a CTE Marketing class or CTE 2nd level class and leave at the end of 3rd block . Your employment relating to the CTE class is your 4th block class. Semester grade includes, projects, meeting attendance, paystub documentation and employer evaluation
- **Internships** – Seniors only. One class block is spent at a work location based on your career interest. Semester grades includes journal, assignments and sponsor evaluation.

High School will offer many new challenges and opportunities

Make the most of this new chapter in your life , plan to:

- Work hard
- Get involved (clubs, sports, community service)
- Follow your own individual interest

If you have questions about registration, ask for assistance