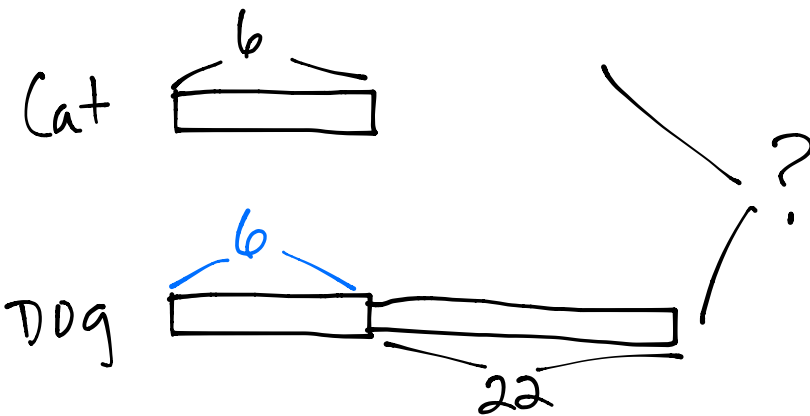


Name _____

Date _____

Directions: Use the RDW process for each problem. Explain why your answer is reasonable.

1. Mrs. Portillo’s cat weighs 6 kilograms. Her dog weighs 22 kilograms more than her cat. What is the total weight of her cat and dog?



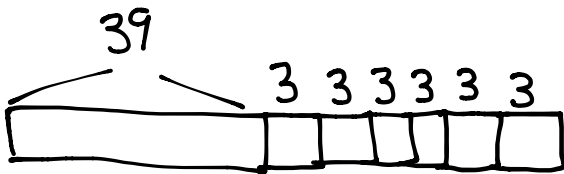
$$6 + 6 + 22$$

$$= 12 + 22$$

$$= 34$$

The total weight of her cat and dog is 34 kg.

2. Darren studies for his science test for 39 minutes. He then does 6 chores. Each chore takes him 3 minutes. How many minutes does Darren spend studying and doing chores?



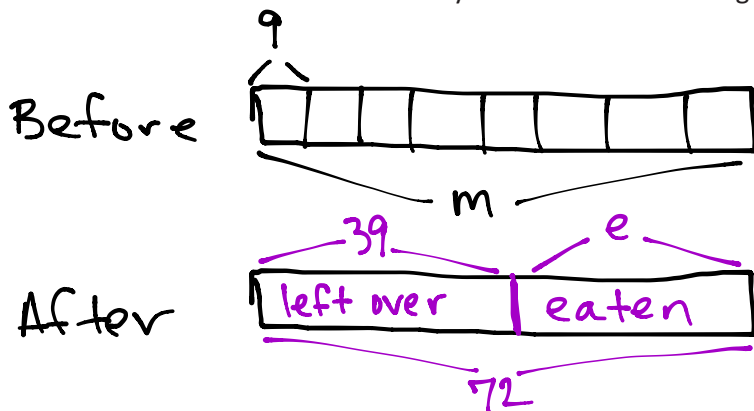
$$39 + 6 \times 3$$

$$= 39 + 18$$

$$= 57$$

Darren spent 57 minutes studying and doing chores.

3. Mr. Abbot buys 8 boxes of granola bars for a party. Each box has 9 granola bars. After the party, there are 39 bars left. How many bars were eaten during the party?



$$8 \times 9 = m$$

$$m = 72$$

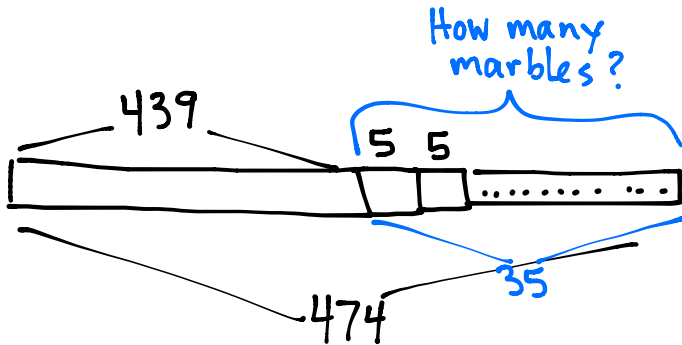
Mr. Abbot bought 72 granola bars.

$$72 - 39 = e$$

$$e = 33$$

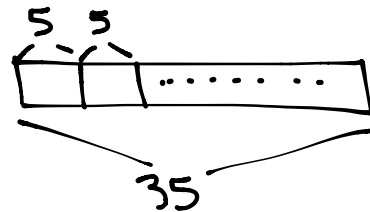
33 bars were eaten at the party.

4. Leslie weighs her marbles in a jar, and the scale reads 474 grams. The empty jar weighs 439 grams. Each marble weighs 5 grams. How many marbles are in the jar?



$$\begin{array}{r} 474 \\ - 439 \\ \hline 35 \end{array}$$

The marbles weigh 35 grams.

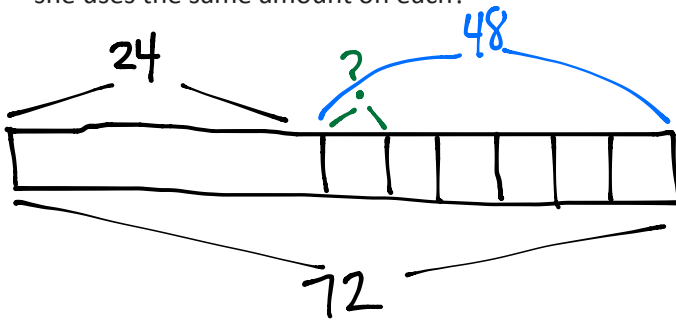


$$35 \div 5 = m$$

$$7 = m$$

There are 7 marbles in the jar.

5. Sharon uses 72 centimeters of ribbon to wrap gifts. Of that total, she uses 24 centimeters to wrap a big gift. She uses the remaining ribbon for 6 small gifts. How much ribbon will she use for each small gift if she uses the same amount on each?



$$72 - 24 = 48$$

48 cm for the six small gifts.

$$\begin{array}{r} 61 \\ 72 \\ - 24 \\ \hline 48 \end{array}$$

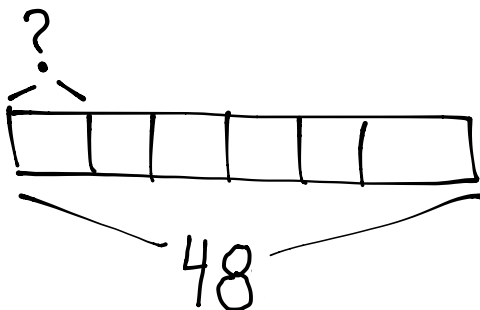
$$48 \div 6 = 8$$

8 cm of ribbon for each small gift.

6. Six friends equally share the cost of a gift. They pay \$90 and receive \$42 in change. How much does each friend pay?

$$90 - 42 = 48$$

They paid \$48 in total.



$$48 \div 6 = 8$$

Each friend paid \$8.