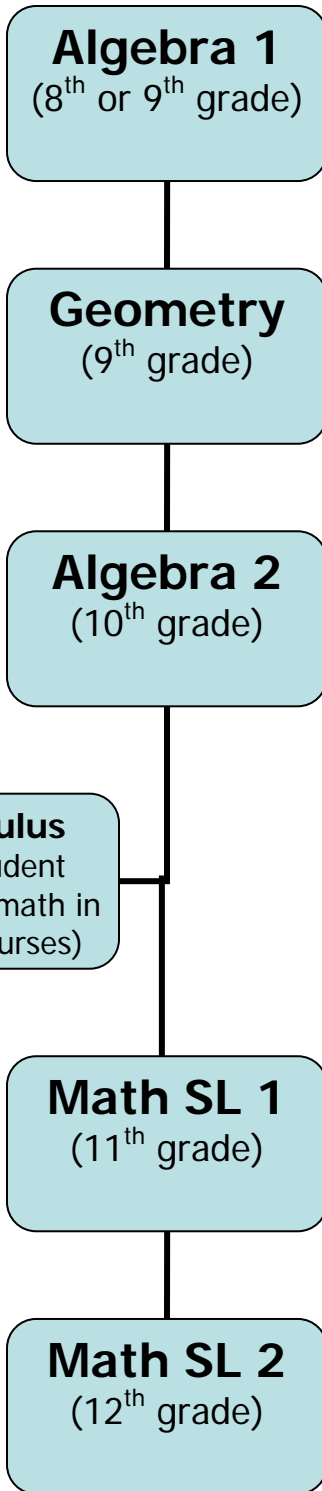
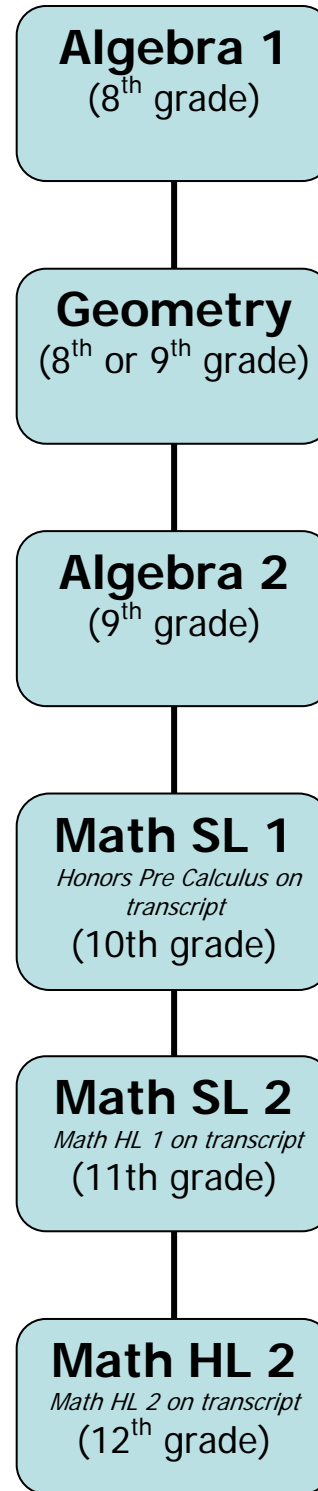


**OAKMONT HS  
MATH SL  
PATHWAY**



**OAKMONT HS  
MATH HL  
PATHWAY**



*Students should be receiving grades of As in these classes. Students who perform at the level of a B or C, should be in the Math SL pathway.*

*Math HL students will be testing on ALL knowledge from these three courses in May of their senior year. Students must be good at retaining information for long periods of time.*