

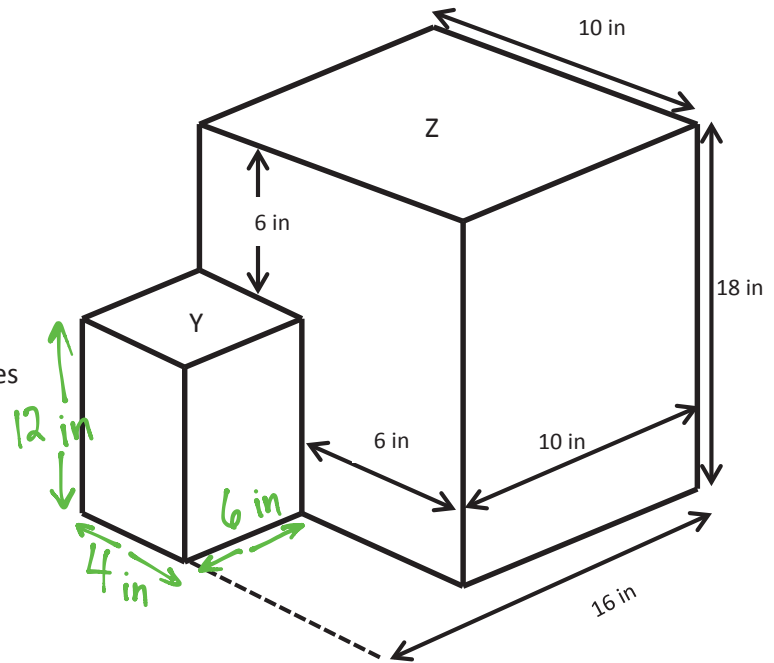
Name _____

Date _____

A student designed this sculpture. Using the dimensions on the sculpture, find the dimensions of each rectangular prism. Then, calculate the volume of each prism.

- a. Rectangular Prism Y

Height: 12 inches
 Length: 4 inches
 Width: 6 inches
 Volume: 288 cubic inches



- b. Rectangular Prism Z

Height: 18 inches
 Length: 10 inches
 Width: 16 inches
 Volume: 2880 cubic inches

- c. Find the total volume of the sculpture. Label the answer.

$$288 \text{ in}^3 + 2880 \text{ in}^3 = 3168 \text{ in}^3$$

$$\begin{array}{r} 2880 \\ + 288 \\ \hline 3168 \end{array}$$