

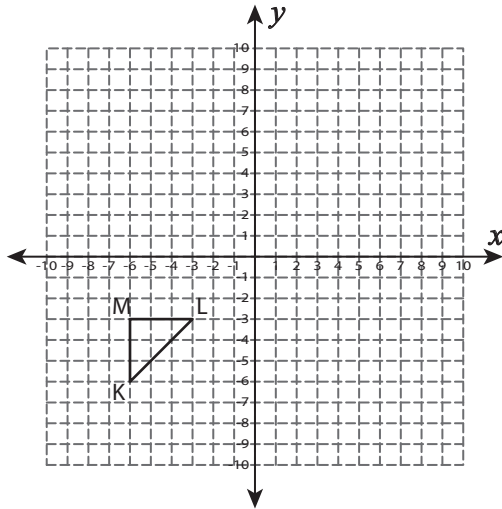
Name : \_\_\_\_\_

# Dilate the Shapes

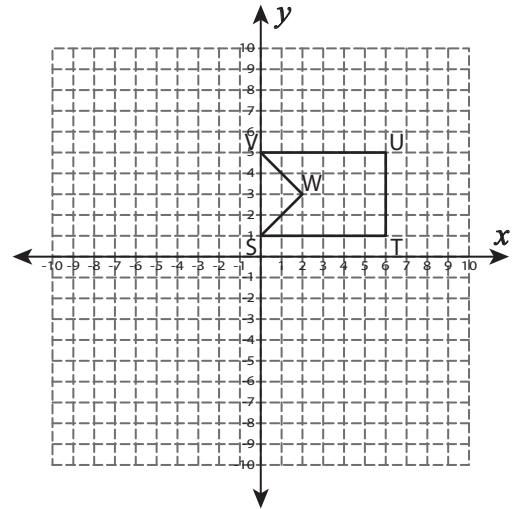
Sheet 1

Draw the dilated image with the given center and scale factor (k).

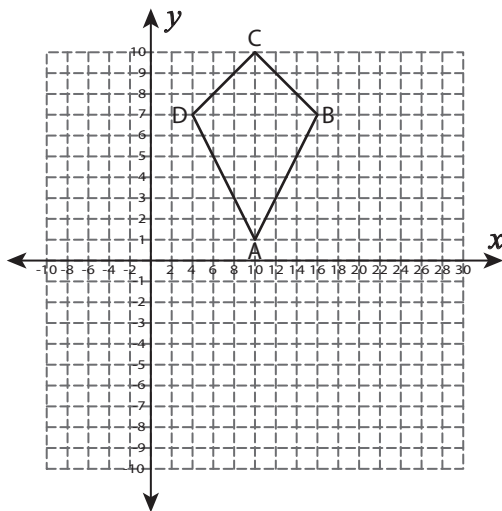
1) center :  $(-3, 0)$  ,  $k = \frac{4}{3}$



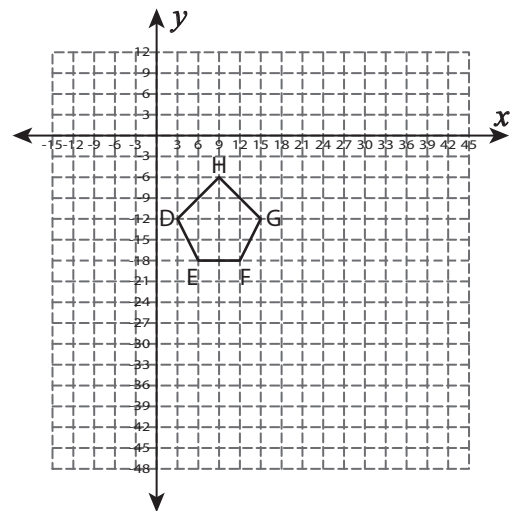
2) center :  $(2, 1)$  ,  $k = \frac{1}{2}$



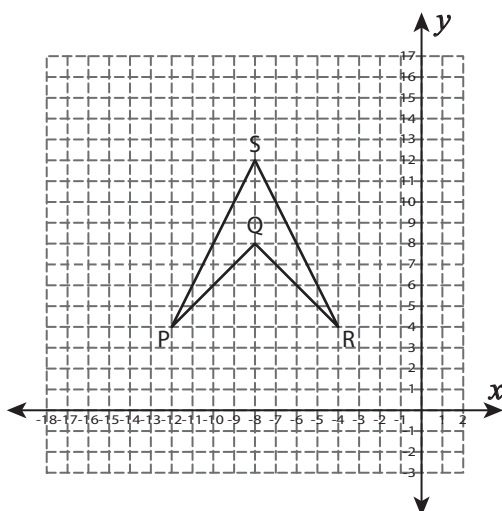
3) center :  $(10, 4)$  ,  $k = \frac{2}{3}$



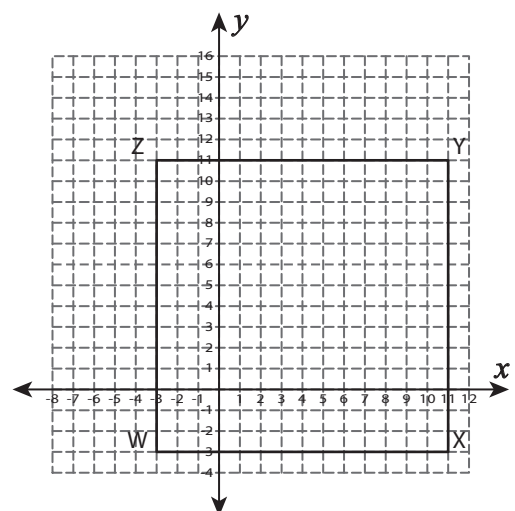
4) center :  $(9, -12)$  ,  $k = 4$



5) center :  $(-4, 8)$  ,  $k = 1.25$



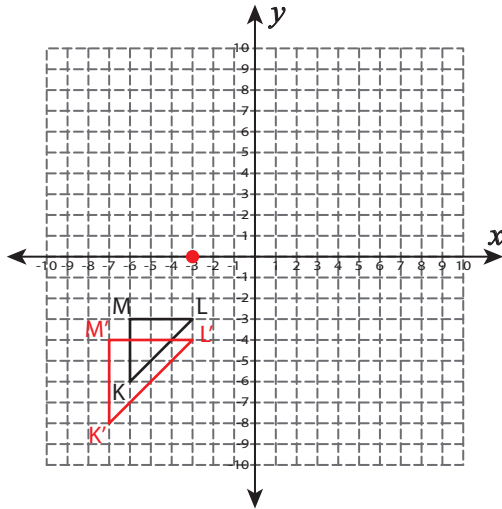
6) center :  $(-3, -3)$  ,  $k = \frac{3}{7}$



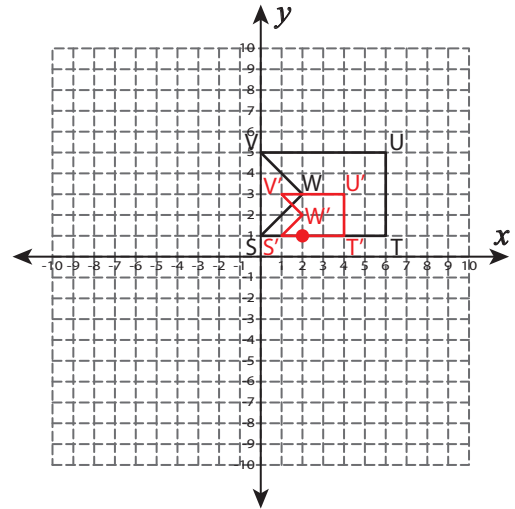
**Dilate the Shapes**

Draw the dilated image with the given center and scale factor (k).

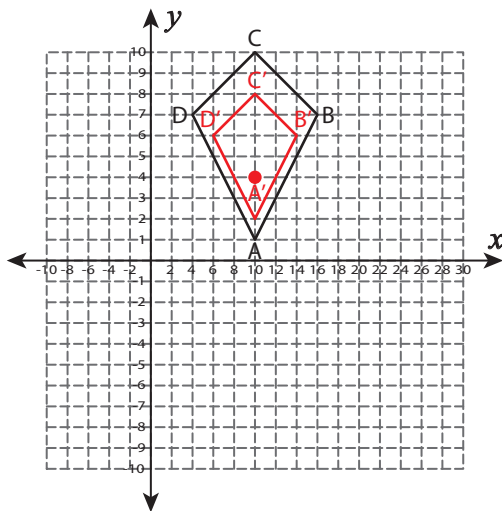
1) center :  $(-3, 0)$  ,  $k = \frac{4}{3}$



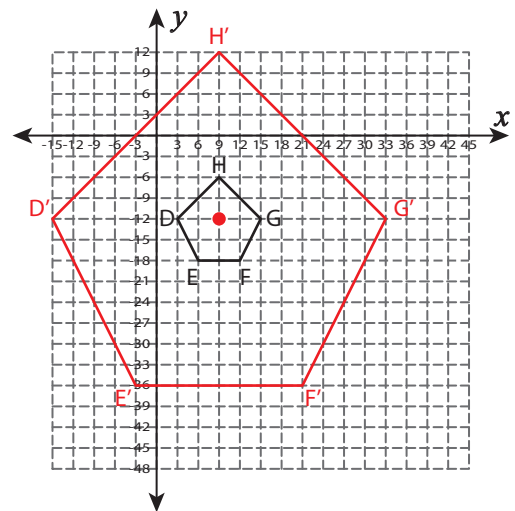
2) center :  $(2, 1)$  ,  $k = \frac{1}{2}$



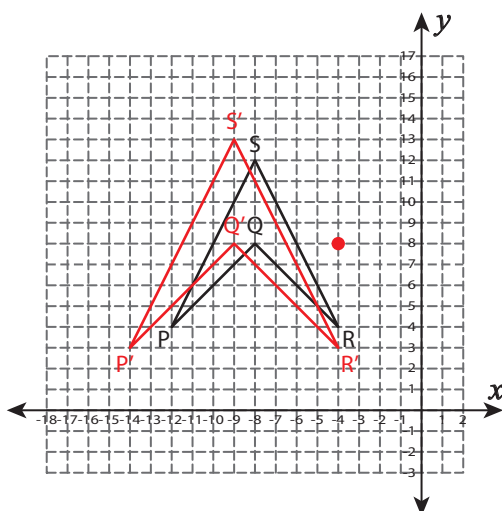
3) center :  $(10, 4)$  ,  $k = \frac{2}{3}$



4) center :  $(9, -12)$  ,  $k = 4$



5) center :  $(-4, 8)$  ,  $k = 1.25$



6) center :  $(-3, -3)$  ,  $k = \frac{3}{7}$

