

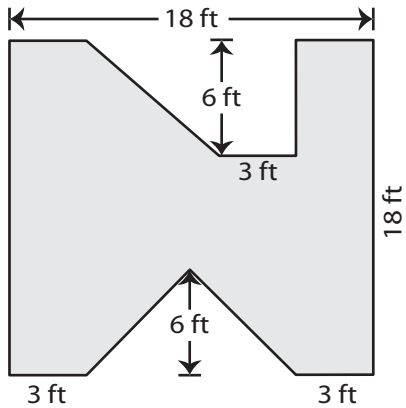
Name : \_\_\_\_\_

L2S1

# Area - Compound Shapes

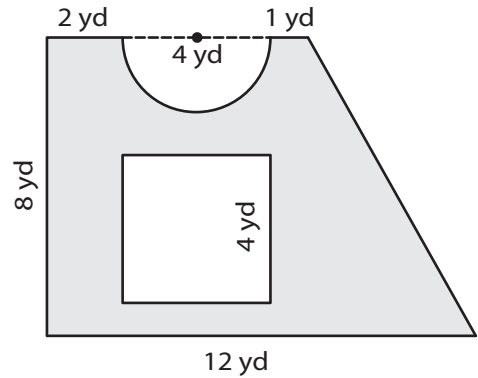
Find the area of the shaded region in each figure. Round your answer to 2 decimal places if required. (Use  $\pi = 3.14$ )

1)



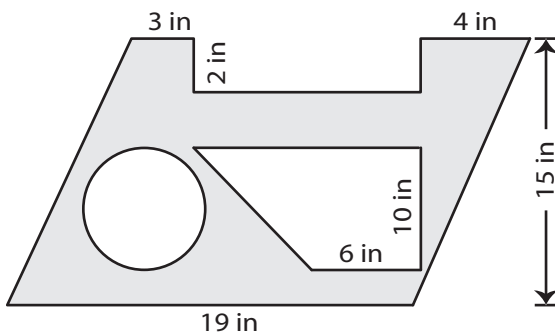
Area = \_\_\_\_\_

2)



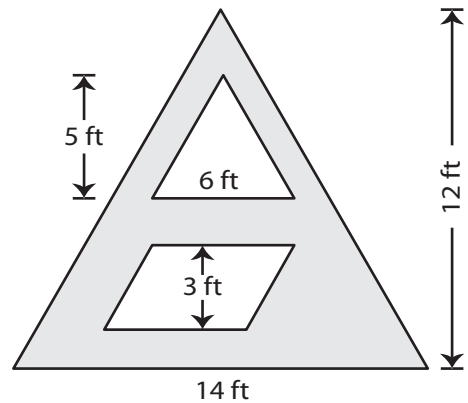
Area = \_\_\_\_\_

3)



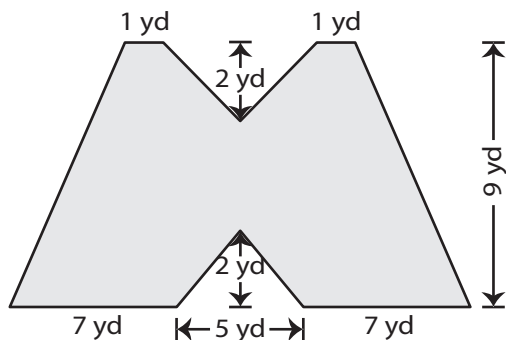
Area = \_\_\_\_\_

4)



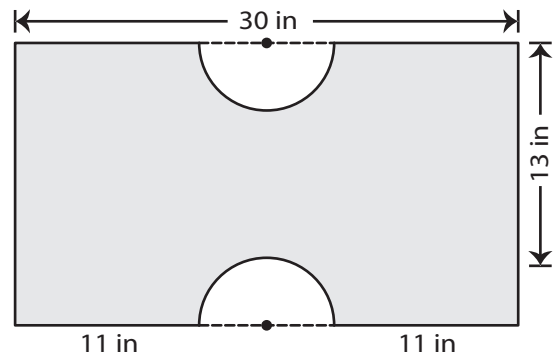
Area = \_\_\_\_\_

5)



Area = \_\_\_\_\_

6)



Area = \_\_\_\_\_

Name : \_\_\_\_\_

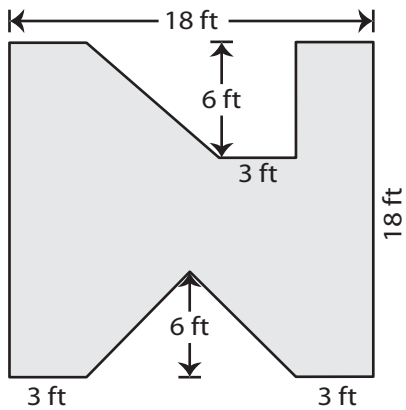
**Answer key**

L2S1

**Area - Compound Shapes**

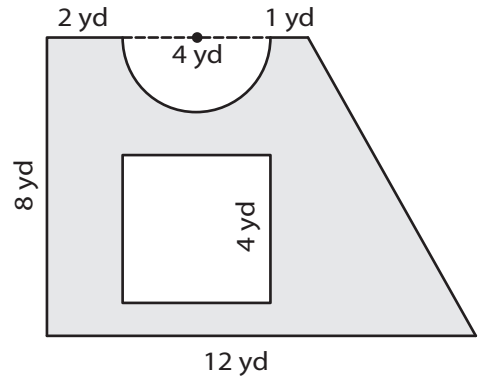
Find the area of the shaded region in each figure. Round your answer to 2 decimal places if required. (Use  $\pi = 3.14$ )

1)



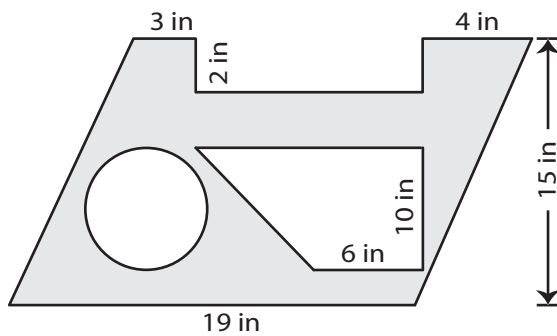
Area = 243 ft<sup>2</sup>

2)



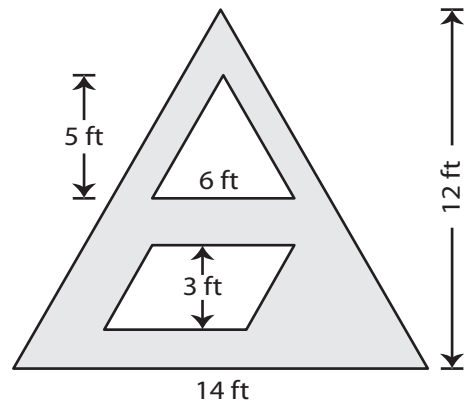
Area = 53.72 yd<sup>2</sup>

3)



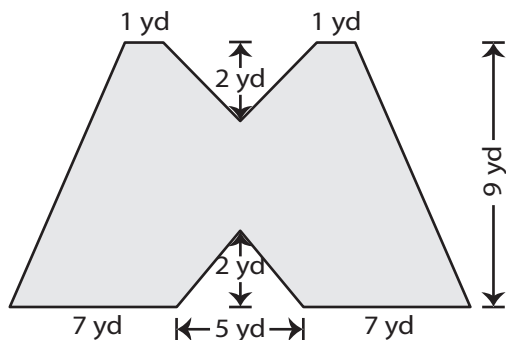
Area = 92.5 in<sup>2</sup>

4)



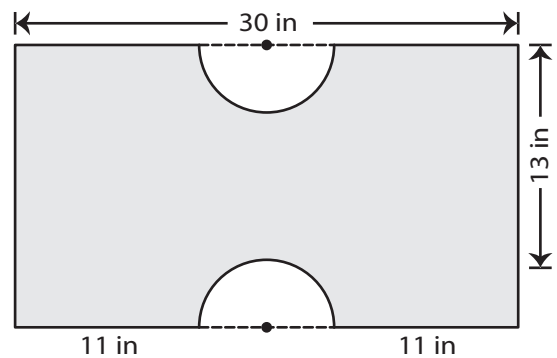
Area = 51 ft<sup>2</sup>

5)



Area = 107 yd<sup>2</sup>

6)



Area = 459.76 in<sup>2</sup>