

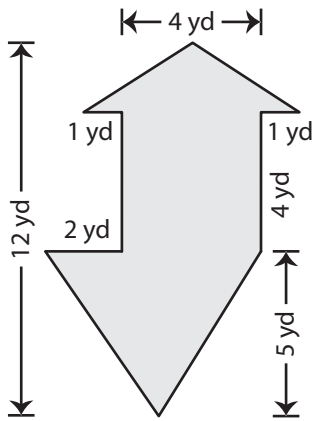
Name : _____

L2S1

Area - Compound Shapes

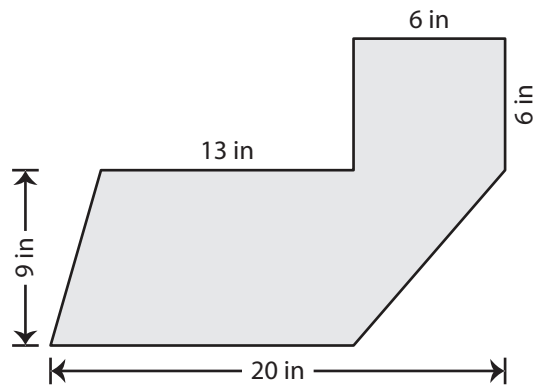
Find the area of each figure. Round your answer to 2 decimal places if required.
(Use $\pi = 3.14$)

1)



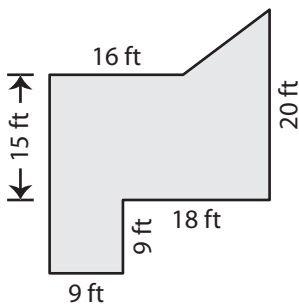
Area = _____

2)



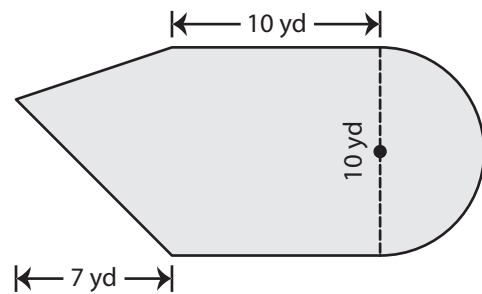
Area = _____

3)



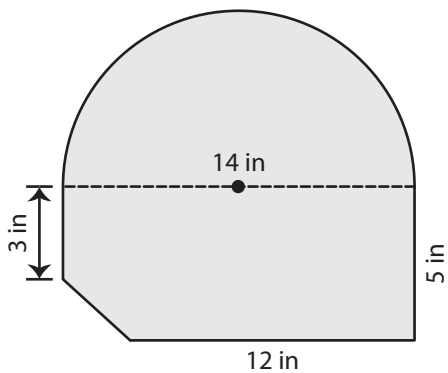
Area = _____

4)



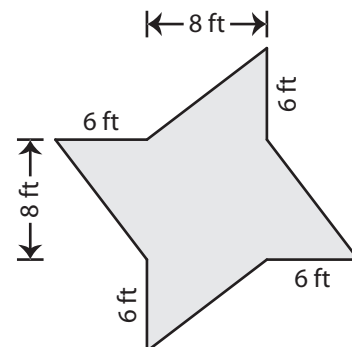
Area = _____

5)



Area = _____

6)



Area = _____

Name : _____

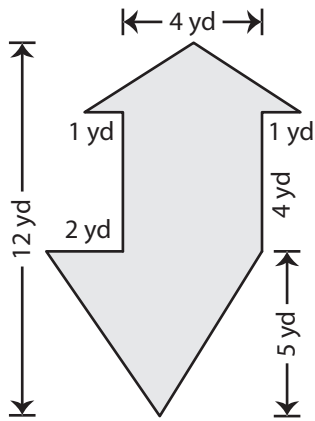
Answer key

Area - Compound Shapes

L2S1

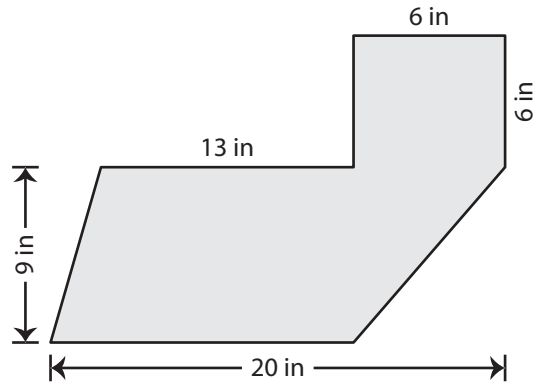
Find the area of each figure. Round your answer to 2 decimal places if required.
(Use $\pi = 3.14$)

1)



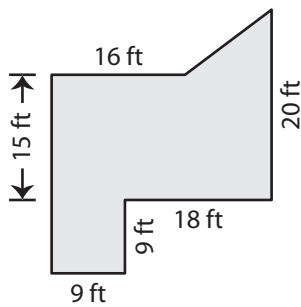
Area = 40 yd²

2)



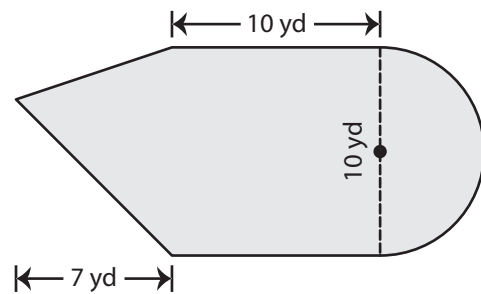
Area = 184.5 in²

3)



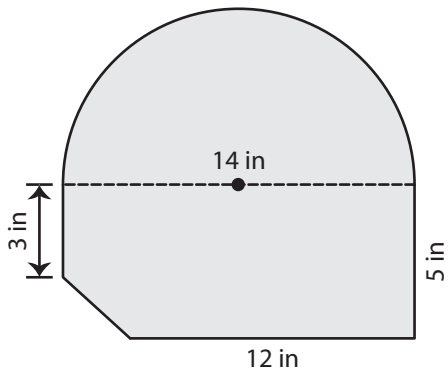
Area = 513.5 ft²

4)



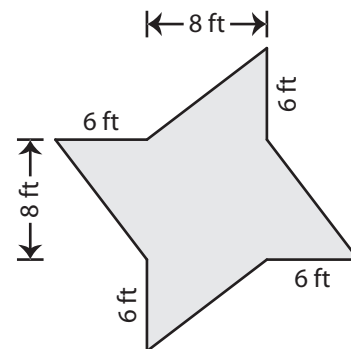
Area = 174.25 yd²

5)



Area = 144.93 in²

6)



Area = 160 ft²