

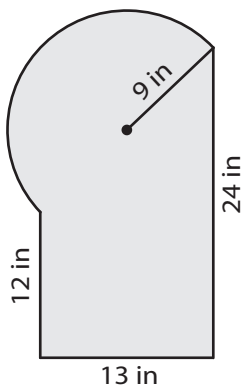
Name : _____

Area - Compound Shapes

Mixed: L1S1

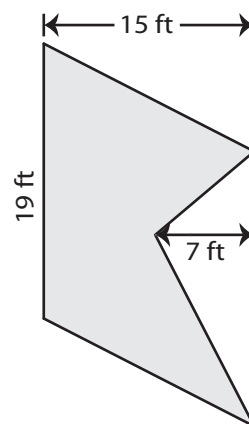
Find the area of the shaded region in each figure. Round your answer to 2 decimal places if required. (Use $\pi = 3.14$)

1)



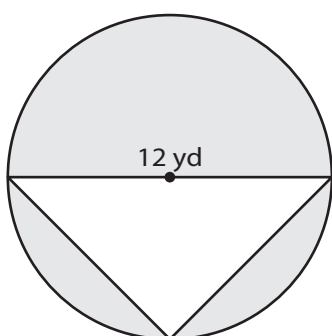
Area = _____

2)



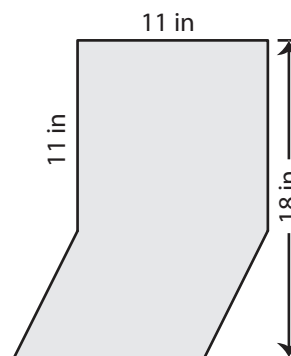
Area = _____

3)



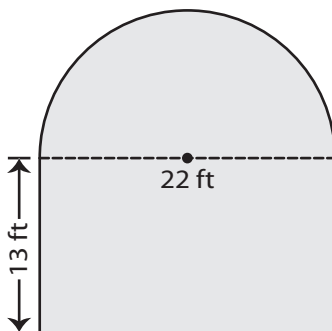
Area = _____

4)



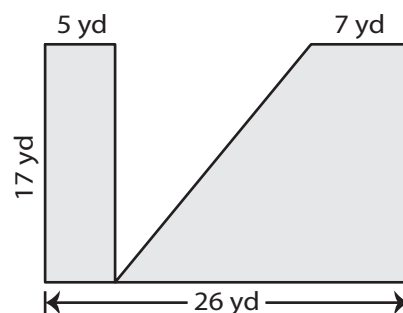
Area = _____

5)



Area = _____

6)



Area = _____

Name : _____

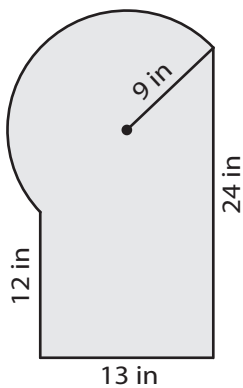
Answer key

Area - Compound Shapes

Mixed: L1S1

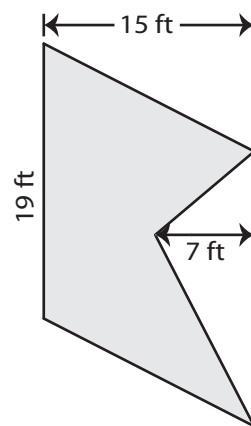
Find the area of the shaded region in each figure. Round your answer to 2 decimal places if required. (Use $\pi = 3.14$)

1)



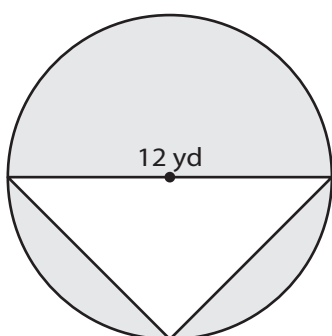
Area = 361.17 in²

2)



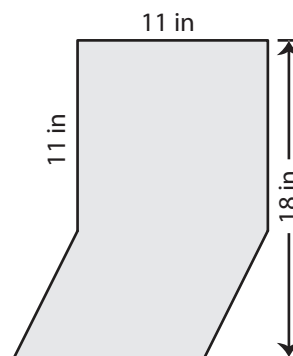
Area = 218.5 ft²

3)



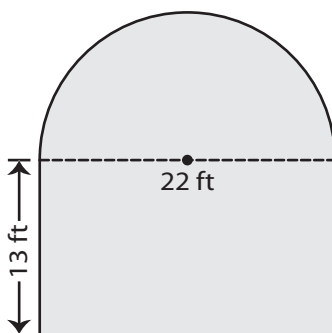
Area = 77.04 yd²

4)



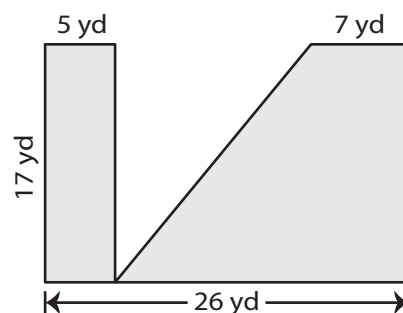
Area = 198 in²

5)



Area = 475.97 ft²

6)



Area = 323 yd²