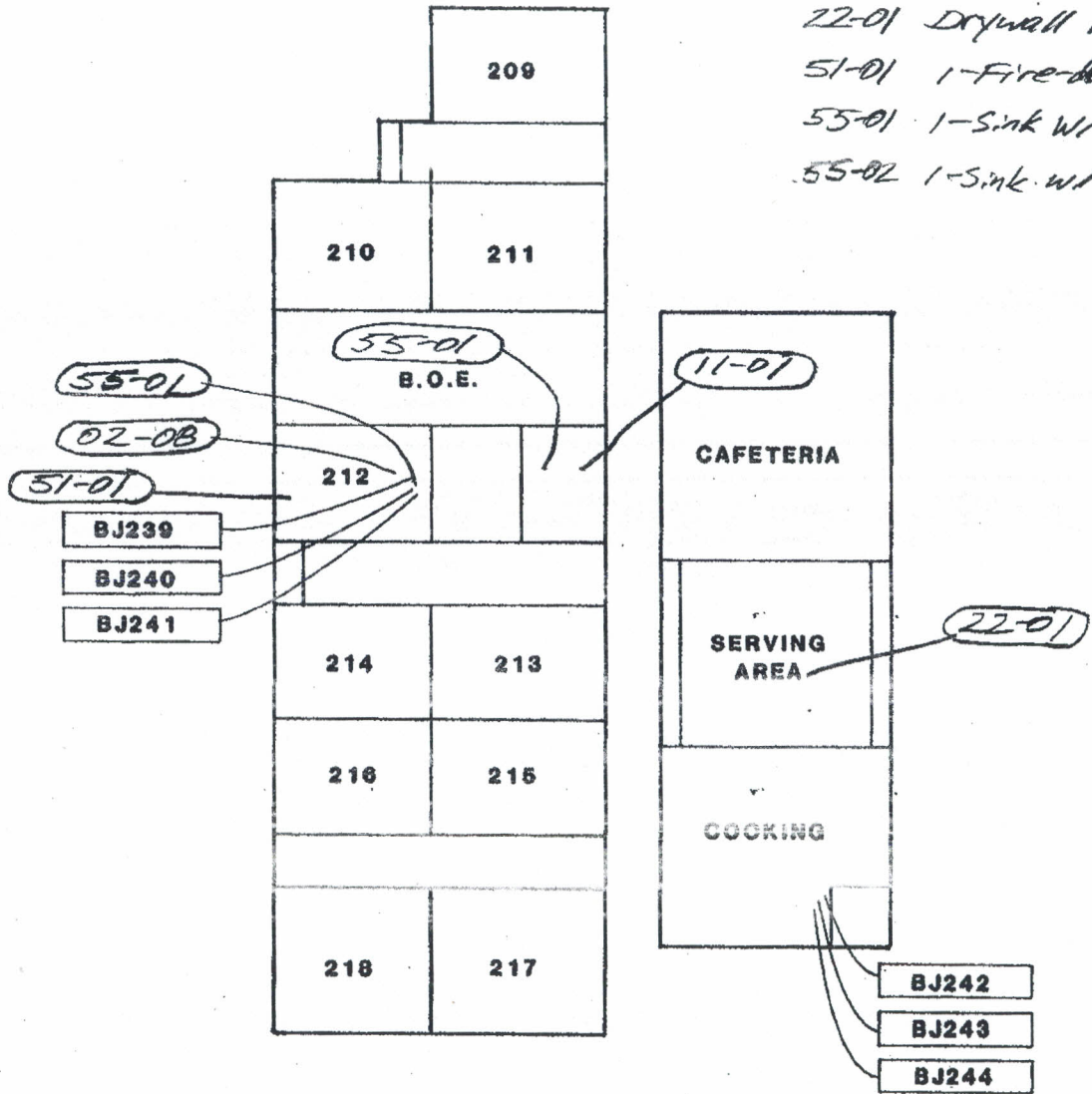


- 02-08 Drywall Joint Compound
- 11-01 Transite Panels (Library windows)
- 22-01 Drywall Joint Compound
- 51-01 1-Fire-door
- 55-01 1-Sink w/white Spray-on
- 55-02 1-Sink w/white Spray-on (Library Writ Rm)



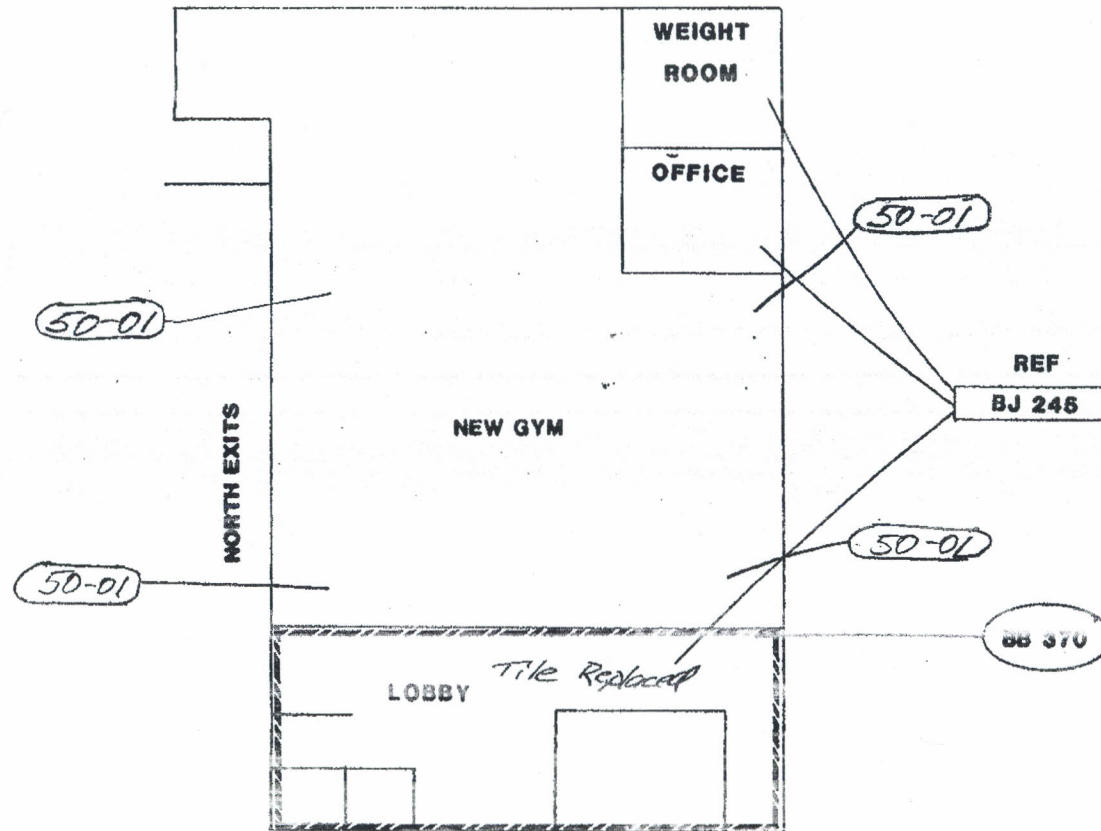
OLD SMITH STA. HS

LEGEND	
MATERIAL TYPE	BORDER/SHADING
PIPE FITTINGS	-----
PIPES AND FITTINGS	
AIR DUCT MATERIALS	◆◆◆◆
FLOOR TILE	▒▒▒▒
BOILERS/TANKS	▒▒▒▒
SPRAY/TROWEL MAT'L	▒▒▒▒
CONTAMINATED AREA	▒▒▒▒
TRANSITE MATERIAL	▒▒▒▒
OTHER	▒▒▒▒
(XXXX)	DENOTES LOCATION OF SAMPLE WHICH TESTED POSITIVE FOR ASBESTOS.
[XXXX]	DENOTES LOCATION OF SAMPLE WHICH TESTED NEGATIVE FOR ASBESTOS.



FIGURE NO. 2.27 041-0060-01 MAIN BUILDING

50-01 4-"Madame" Gas Ceiling Heaters/Lining



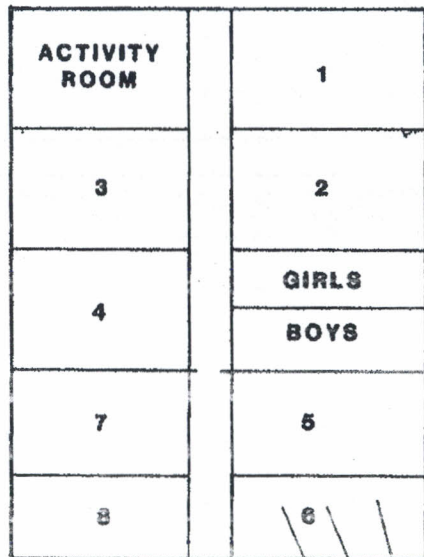
- 110 -

LEGEND	
MATERIAL TYPE	BORDER/SHADING
PIPE FITTINGS	.....
PIPES AND FITTINGS	-----
AIR DUCT MATERIALS	◆◆◆◆
FLOOR TILE	▨▨▨▨
BOILERS/TANKS	▧▧▧▧
SPRAY/TROWEL MATL	▩▩▩▩
CONTAMINATED AREA	▤▤▤▤
TRANSITE MATERIAL	▦▦▦▦
OTHER	▧▧▧▧
(XXXX)	DENOTES LOCATION OF SAMPLE WHICH TESTED POSITIVE FOR ASBESTOS.
[XXXX]	DENOTES LOCATION OF SAMPLE WHICH TESTED NEGATIVE FOR ASBESTOS.



FIGURE NO. 2.28 041-0060-02 SMITHS HIGH GYMNASIUM

51-01 14-Fire-doors (through out)  
 55-01 3 Sinks w/Black Spray-on (Science Lab)  
 55-02 7-Sinks w/Black Spray-on (Classrooms)



BJ247  
 BJ246  
 BJ245

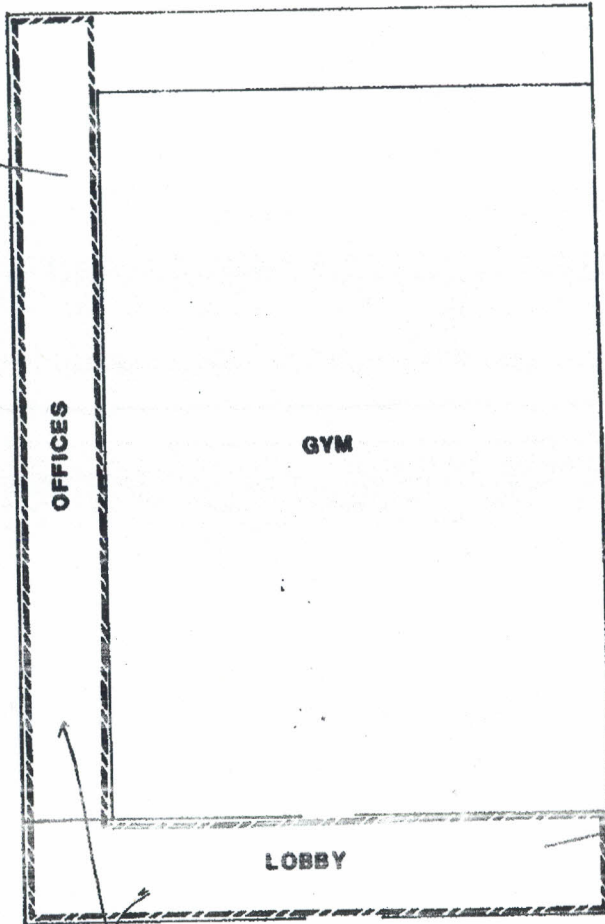
LEGEND	
MATERIAL TYPE	BORDER / SHADING
PIPE FITTINGS	.....
PIPES AND FITTINGS	.....
AIR DUCT MATERIALS	.....
FLOOR TILE	.....
BOILERS/TANKS	.....
SPRAY/TROWEL MAT'L	.....
CONTAMINATED AREA	.....
TRANSITE MATERIAL	.....
OTHER	.....
(XXXX)	DENOTES LOCATION OF SAMPLE WHICH TESTED POSITIVE FOR ASBESTOS.
(XXXX)	DENOTES LOCATION OF SAMPLE WHICH TESTED NEGATIVE FOR ASBESTOS.

OLD Smith Sta. HS



<b>FIGURE NO.</b> 2.29	041-0060-03 SCIENCE WING
------------------------	--------------------------

BD372



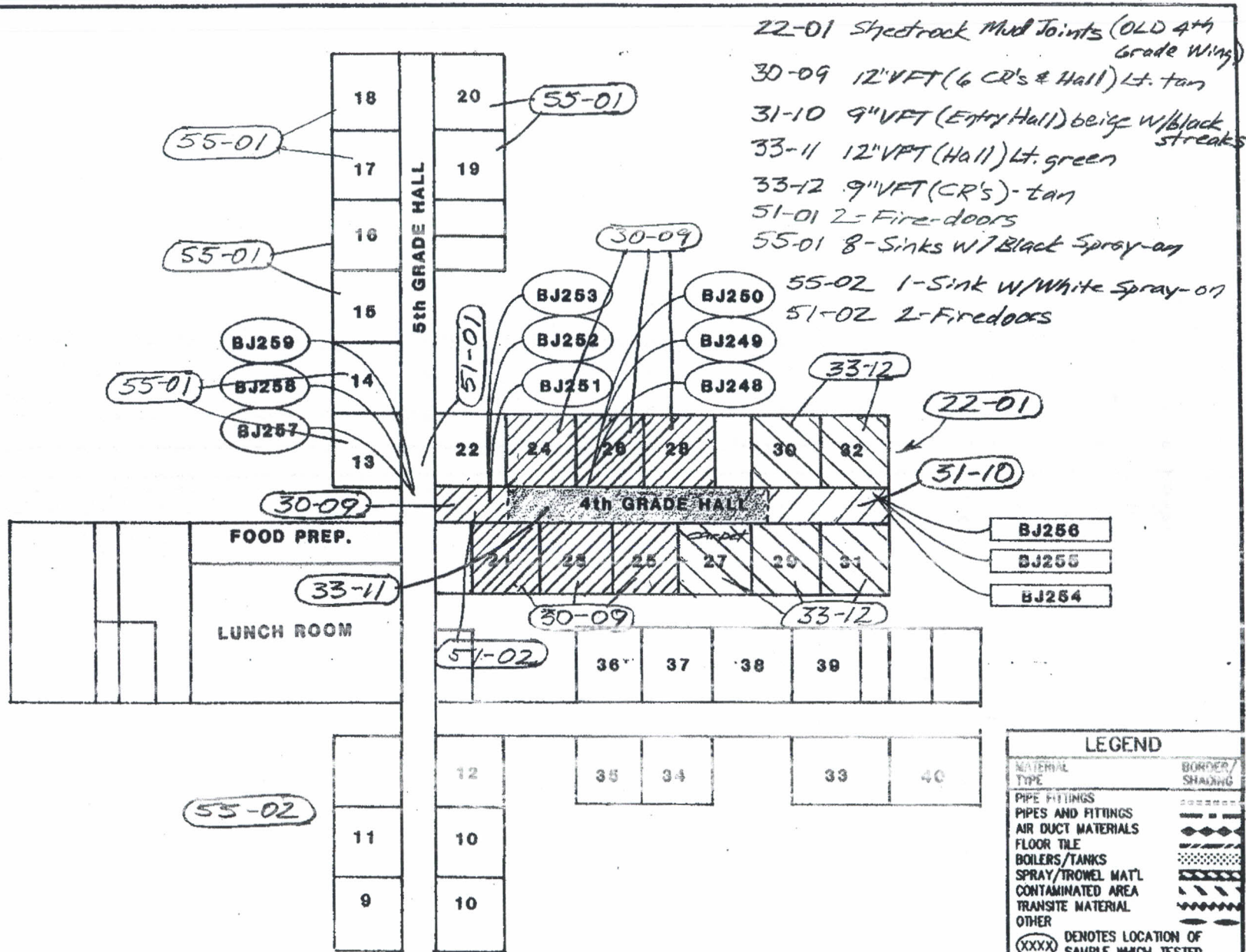
BD371

All 12" VFT Replaced

LEGEND	
MATERIAL TYPE	BORDER/SHADING
PIPE FITTINGS	.....
PIPES AND FITTINGS	-----
AIR DUCT MATERIALS	-----
FLOOR TILE	-----
BOILERS/TANKS	-----
SPRAY/TROWEL MAT'L	-----
CONTAMINATED AREA	-----
TRANSITE MATERIAL	-----
OTHER	-----
(XXXX)	DENOTES LOCATION OF SAMPLE WHICH TESTED POSITIVE FOR ASBESTOS.
[XXXX]	DENOTES LOCATION OF SAMPLE WHICH TESTED NEGATIVE FOR ASBESTOS.



FIGURE NO. 2.33      041-0060-07      SMITHS GYMNASIUM



- 22-01 Sheetrock Mud Joints (OLD 4th Grade Wing)
- 30-09 12" VFT (6 CR's & Hall) Lt. tan
- 31-10 9" VFT (Entry Hall) beige w/black streaks
- 33-11 12" VFT (Hall) Lt. green
- 33-12 9" VFT (CR's) - tan
- 51-01 2 - Fire-doors
- 55-01 8 - Sinks w/Black Spray-on
- 55-02 1 - Sink w/White Spray-on
- 51-02 2 - Firedoors

LEGEND	
MATERIAL TYPE	BORDER/SHADING
PIPE FITTINGS	-----
PIPES AND FITTINGS	-----
AIR DUCT MATERIALS	-----
FLOOR TILE	-----
BOILERS/TANKS	-----
SPRAY/TROWEL MAT'L	-----
CONTAMINATED AREA	-----
TRANSITE MATERIAL	-----
OTHER	-----
(XXXX)	DENOTES LOCATION OF SAMPLE WHICH TESTED POSITIVE FOR ASBESTOS.
(XXXX)	DENOTES LOCATION OF SAMPLE WHICH TESTED NEGATIVE FOR ASBESTOS.



FIGURE NO. 2.36      041-0060-10 GRAMMAR SCHOOL      OLD SMITH STA HS