

Name: _____

First Grade

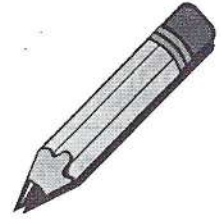
Snow Day Work

Day #1

Name _____



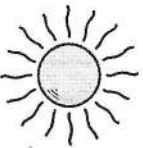

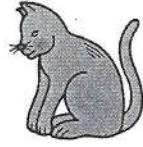



Reading Skills Practice Test 1



A. Phonic Analysis: Consonants and Vowels


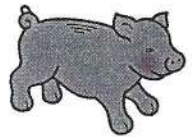

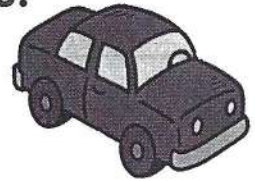
Look at each picture.

Write the missing letter on the blank line.

<p>Sample</p>  <p>_____un</p>	<p>1.</p>  <p>b_____d</p>	<p>2.</p>  <p>_____at</p>
<p>3.</p>  <p>_____og</p>	<p>4.</p>  <p>_____ug</p>	<p>5.</p>  <p>s_____ck</p>

B. Vocabulary: Picture-Word Match

Circle the word that names each picture.

<p>Sample</p>  <p>cat can cot</p>	<p>1.</p>  <p>dig pet pig</p>	<p>2.</p>  <p>run bun rat</p>	<p>3.</p>  <p>car rock lick</p>
---	--	---	--



C. High-frequency Word Match

Circle the word your teacher says out loud.

Sample	1.	2.	3.
the	are	will	his
of	my	who	sad
and	like	he	has

D. Grammar, Usage, and Mechanics

Each sentence has a mistake.

Write each sentence correctly on the blank line.

Sample My bike is red



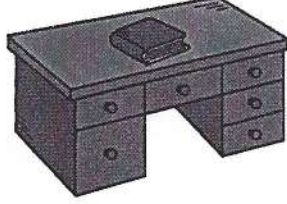

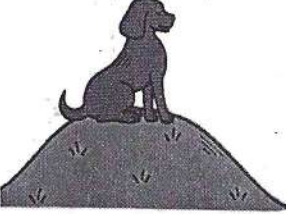
1. i like to run.

2. Did you see it

3. They sits on the mat.

**E. Reading Sentences**

Fill in the bubble next to the sentence that tells about each picture.

Sample 	<input type="radio"/> A girl sits. <input type="radio"/> A girl walks. <input type="radio"/> A girl runs.
1. 	<input type="radio"/> The boy plays ball. <input type="radio"/> The cat plays. <input type="radio"/> The girls run and play.
2. 	<input type="radio"/> The book is on the desk. <input type="radio"/> He has two books. <input type="radio"/> The pen is next to the book.
3. 	<input type="radio"/> We have a big bag. <input type="radio"/> She has a rabbit. <input type="radio"/> He has a rug and a pan.
4. 	<input type="radio"/> Six pigs sit. <input type="radio"/> The dog sits on a hill. <input type="radio"/> A pig plays in the mud.

**F. Story Comprehension**

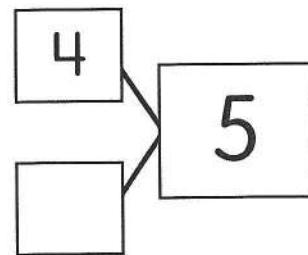
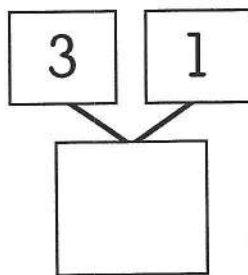
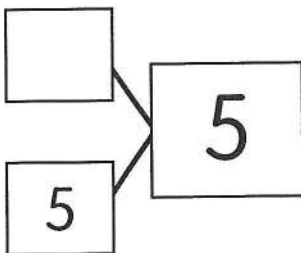
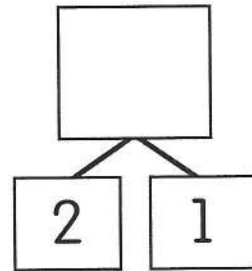
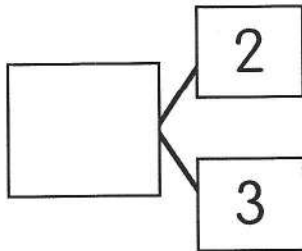
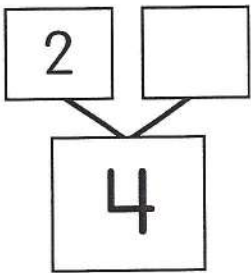
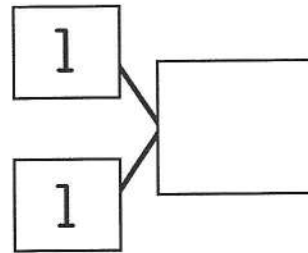
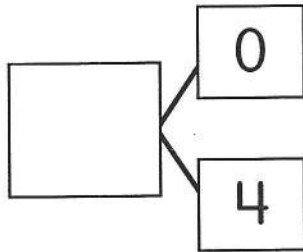
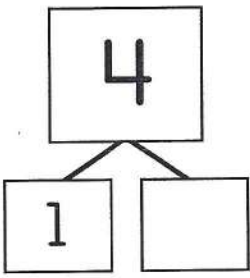
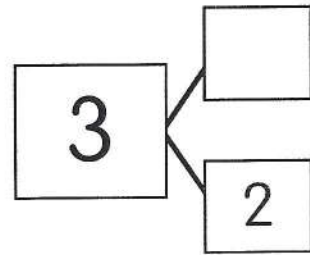
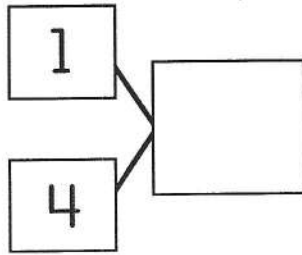
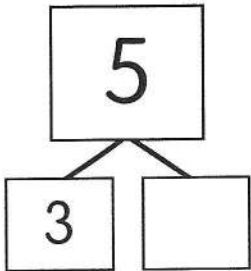
Read the story. Then answer each question.
Fill in the bubble next to the best answer.

**Pam has a dog. His name is Rags.
Rags likes to play.
Rags likes to run.
Rags likes to jump.
Rags is a good dog!**

1. What kind of pet does Pam have?
 cat
 dog
 rabbit
2. What is a good title (name) for this story?
 Rags the Dog
 Frogs Jump
 Apples Grow on Trees
3. What does Rags like to do?
 skip
 play
 sing



Complete each number bond.



Write one addition fact and one subtraction fact for each number bond.

5	___ + ___ = ___
3 2	___ - ___ = ___

4	___ + ___ = ___
1 3	___ - ___ = ___

3	___ + ___ = ___
3 0	___ - ___ = ___

2	___ + ___ = ___
0 2	___ - ___ = ___

4 1	___ + ___ = ___
5	___ - ___ = ___

1 2	___ + ___ = ___
3	___ - ___ = ___

2 2	___ + ___ = ___
4	___ - ___ = ___

5 0	___ + ___ = ___
5	___ - ___ = ___



The Four Seasons

NAME _____

Look at each picture and decide which season you think the picture represents or shows. Also, think of one word to describe each picture/season.

Directions: Write the name of the season on the first line below the picture. On the second line below the picture write one word to describe the season.





